

1

2

3

4

A

B

C

D

E

B

3

A

D

C

F

UNLESS OTHERWISE SPECIFIED:  
DIMENSIONS ARE IN MILLIMETERS  
SURFACE FINISH:  
TOLERANCES:  
LINEAR:  
ANGULAR:



	DATE	NAME
DRAWN	4.11.2009	Sklenarova
Norm		

TITLE:  
**SEAT / SEDACKA  
T5S MAXI**

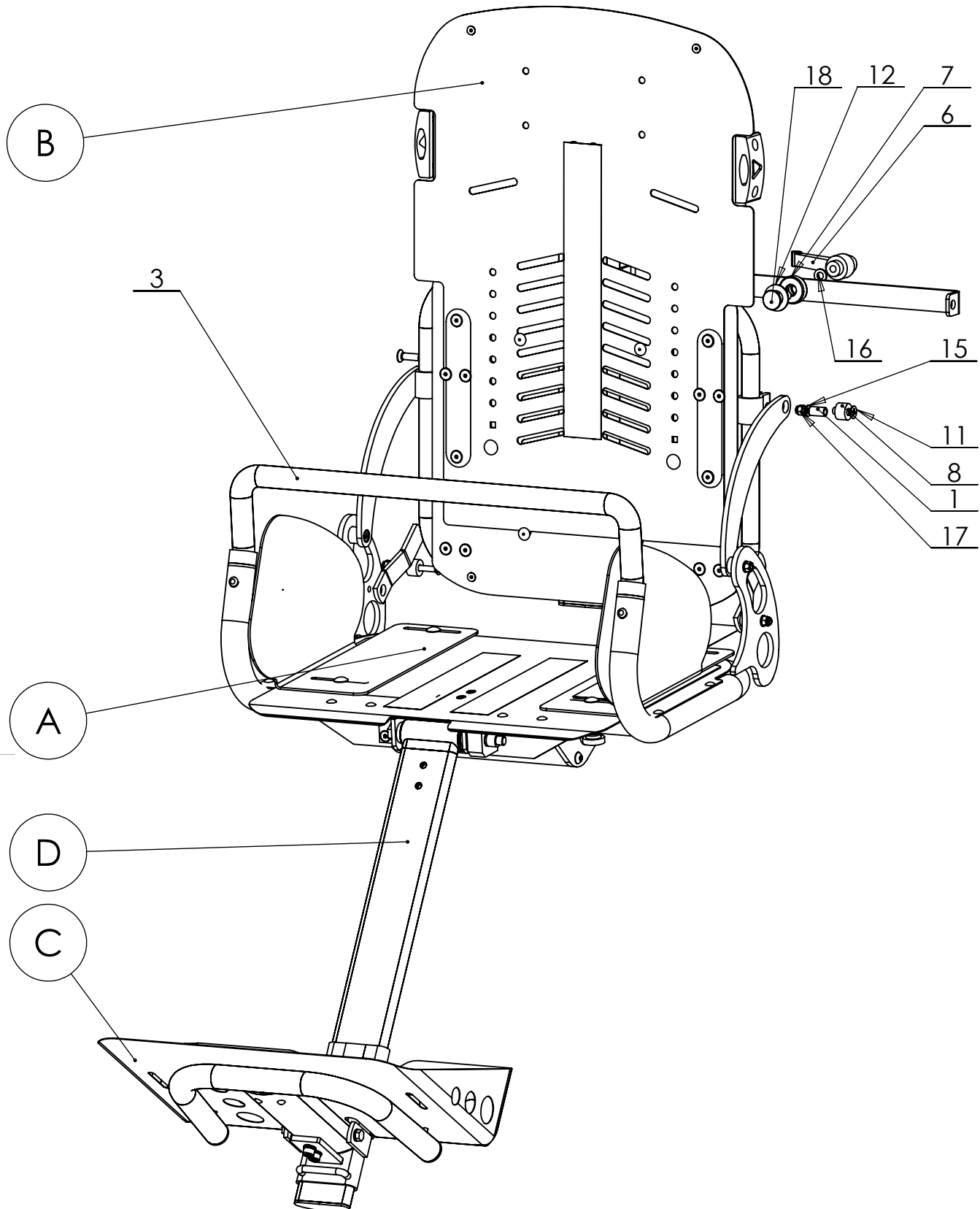
SCALE  
**1:5**

SIGNATURE	DATE	NAME



DWG NO.  
**SVR00040AA**

ISO A4



1

2

3

4

# DETAIL A

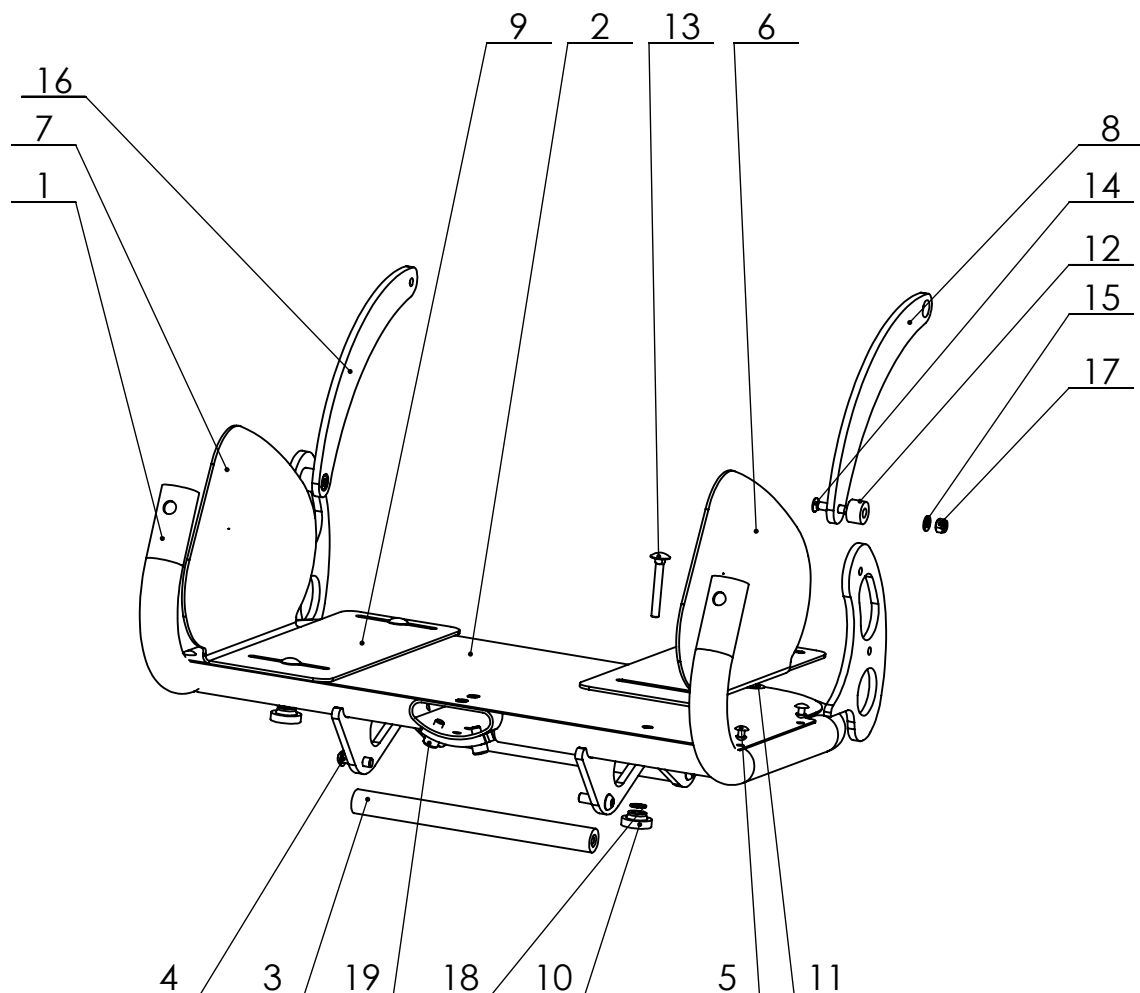
A

B

C

D

E



UNLESS OTHERWISE SPECIFIED:  
 DIMENSIONS ARE IN MILLIMETERS  
 SURFACE FINISH:  
 TOLERANCES:  
 LINEAR:  
 ANGULAR:



	DATE	NAME
DRAWN	4.11.2009	Sklenarova
Norm		

TITLE:

SEAT / SEDACKA-Def.A  
 T5S MAXI

SCALE

1:5

DWG NO.

SVR00041 AA

ISO A4

SIGNATURE

DATE

NAME

WEIGHT:

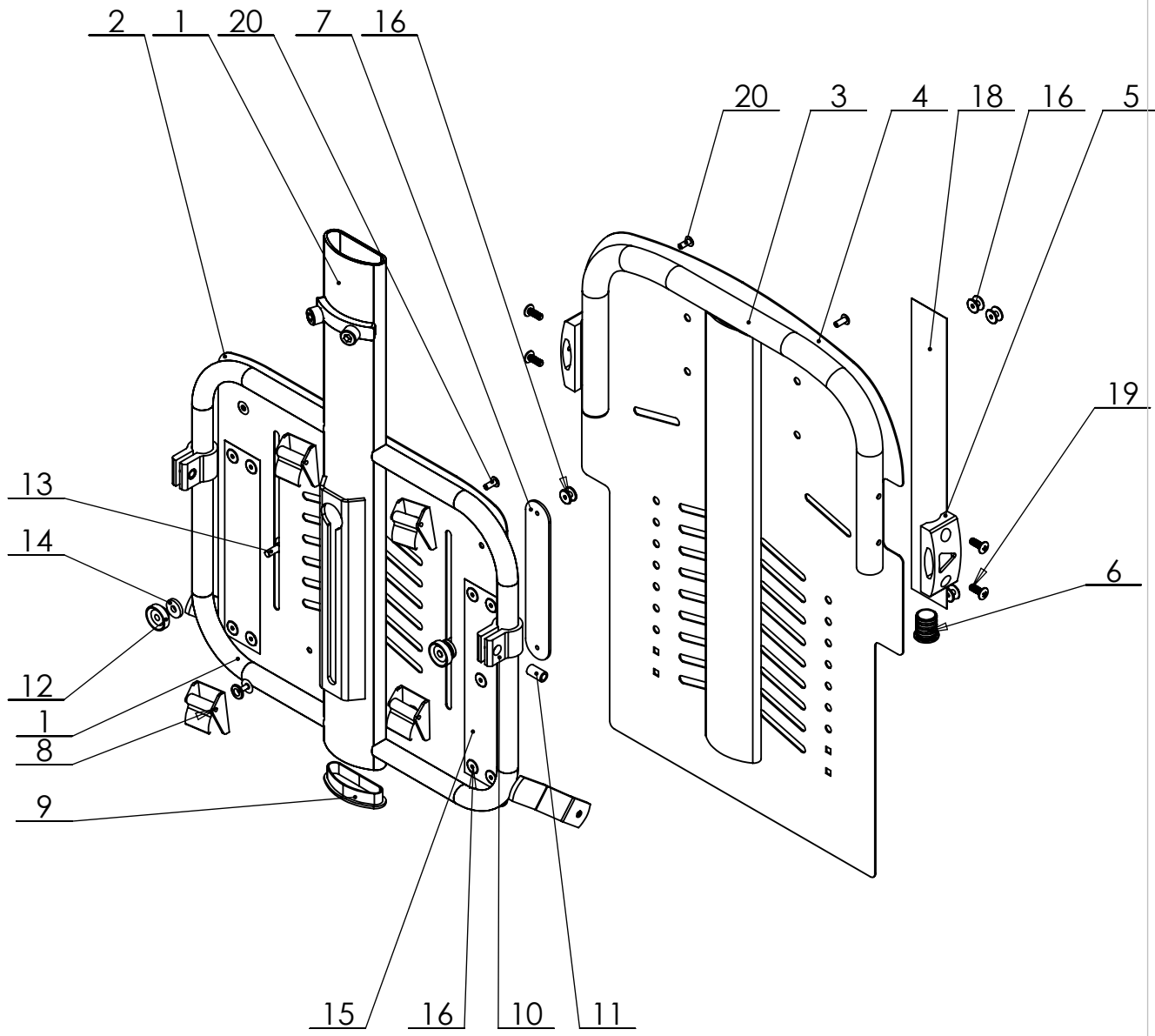
SCALE:1:5

SHEET 1 OF 1



DETAIL B

A  
B  
C  
D  
E  
F



UNLESS OTHERWISE SPECIFIED:  
DIMENSIONS ARE IN MILLIMETERS  
SURFACE FINISH:  
TOLERANCES:  
LINEAR:  
ANGULAR:



	DATE	NAME
DRAWN	4.11.2009	Sklenarova
Norm		

TITLE:  
**SEAT / SEDACKA-Det.B  
T5S MAXI**

SCALE  
**1:5**

SIGNATURE	DATE	NAME

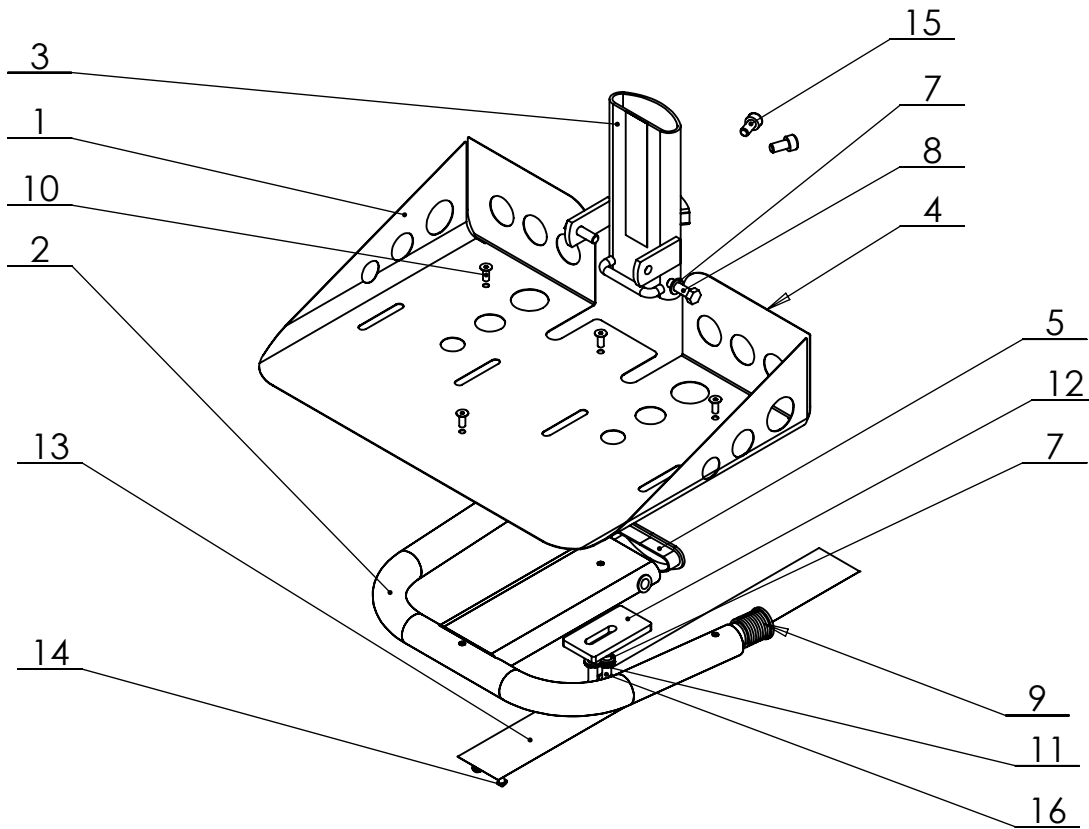


DWG NO.  
**SVR00042AA**

ISO A4

1 2 3 4

DETAIL C



UNLESS OTHERWISE SPECIFIED:  
 DIMENSIONS ARE IN MILLIMETERS  
 SURFACE FINISH:  
 TOLERANCES:  
 LINEAR:  
 ANGULAR:



	DATE	NAME
DRAWN	4.11.2009	Sklenarova
Norm		

TITLE:  
**SEAT / SEDACKA-Def.C  
 T5S MAXI**

SCALE  
**1:5**

SIGNATURE	DATE	NAME



DWG NO.  
**SVR00043AA**

ISO A4

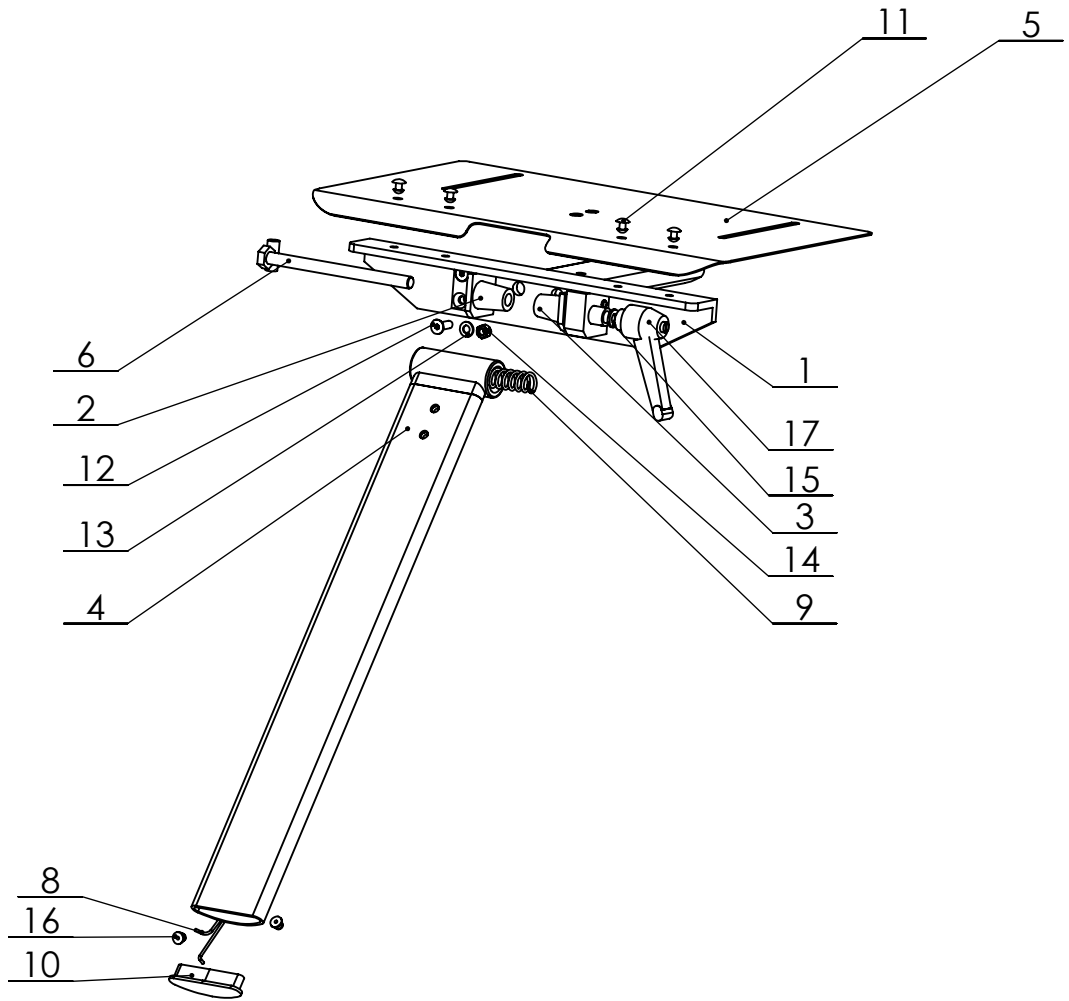
WEIGHT:

SCALE:1:5

SHEET 2 OF 2

1 2 3 4

DETAIL D



UNLESS OTHERWISE SPECIFIED:  
 DIMENSIONS ARE IN MILLIMETERS  
 SURFACE FINISH:  
 TOLERANCES:  
 LINEAR:  
 ANGULAR:



	DATE	NAME
DRAWN	4.11.2009	Sklenarova
Norm		

TITLE:

SEAT / SEDACKA-Def.D  
 T5S MAXI

SCALE

1:5

DWG NO.

SVR00044AA

A4

ISO A4

SIGNATURE

DATE

NAME

WEIGHT:

SCALE:1:5

SHEET 2 OF 2

