
HOGGI[®]



CE

CESA Spare parts catalogue

en

Index

1	Modelidentification and basic equipment	
1.1	Modelidentification _____	4
1.2	Basic equipment _____	4
2	Overview	
2.1	Model overview _____	5
3	Spare parts	
3.1	Seat frame _____	6
3.2	Seat frame ABDU _____	7
3.3	Beam _____	8
3.4	Axel tube _____	9
3.5	Camber adapter _____	10
3.6	Seat panel _____	11
3.7	Back base rigid _____	12
3.8	Back base angle adjustable _____	13
3.9	Adaptable back cover parts list _____	14
3.10	Adaptable back cover _____	15
3.11	Back panel _____	16
3.12	Footrest sanderd _____	17
3.13	Footrest foldable _____	18
3.14	Single footrest _____	19
3.15	Footrest short LLL _____	20
3.16	Footrest short medium LLL _____	21
3.17	HOGGI light Break _____	22
3.18	HOGGI light Break ABDU _____	23
3.19	Wheel fork short _____	24
3.20	Front wheels _____	25
3.21	Rear wheels HOGGI extra light _____	26
3.22	Rear wheels HOGGI light _____	27
3.23	Hand rim _____	28
3.24	Drum break HOGGI light _____	29
3.25	Drum break HOGGI light Parts list _____	30
3.26	Spoke guard _____	31
3.27	Spoke guard parts list _____	32
3.28	Push rim cover _____	33
3.29	Anti tip _____	34
3.30	Tip assist _____	35
3.31	One hand push bar _____	36
3.32	Push bar _____	37
3.33	Push bar parts list _____	38
3.34	Push handle _____	39
3.35	Single push handles _____	40
3.36	Wheel guards overview _____	41
3.37	Wheel guards _____	42
3.38	Wheel guards with armrest _____	43
3.39	Wheel guards with armrest parts list _____	44
3.40	Wheel guards with Integrated break _____	45
3.41	Break lock lever _____	46
3.42	Break _____	47
3.43	Wheel cover with integrated break and armrest _____	48
3.44	Wheel cover with integrated break and armres Part list _____	49
3.45	Therapy tray _____	50
3.46	Clamping unit _____	51

Index

3	Spare parts	
3.47	Abduction block	52
3.48	Cushion	53
3.49	Universal headrest bracket	54
3.50	Head rest with mounting bracket	55
3.51	Back rest extension	56
3.52	Cesa extension kit rigid back	57
3.53	Cesa extension kit foldable back	58
3.54	Tie down kit	59

1 Modelidentification

1.1 Modelidentification

Please give us the Serial number with every spare part, to ensure a correct delivery

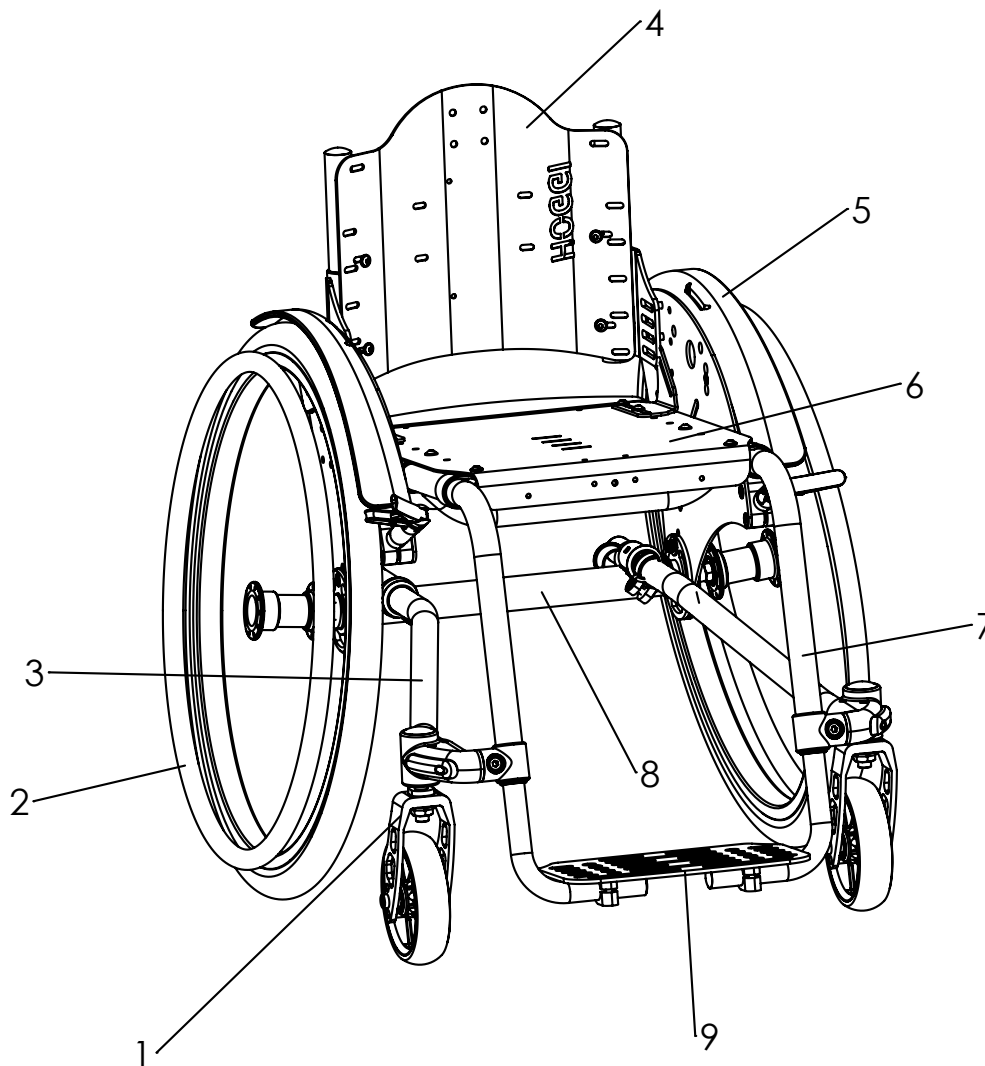
The diagram shows three identical product labels for a HOGGI CESA Aktiv-Rollstuhl. Each label contains the following information:

- Manufacturer:** HOGGI GmbH, Eulerstraße 27, D-56235 Ransbach-Baumbach, MADE IN GERMANY.
- Item Number:** 322X-00SB-XXX.
- Product Name:** CESA Aktiv-Rollstuhl.
- Maximum Load:** Max. load: 100 kg.
- CE Identification:** CE mark.
- Serial Number:** 2018XXXXX.
- Additional Markings:** A barcode and a 'SN' (Serial Number) label.

Callouts on the right side of the labels identify the following elements:

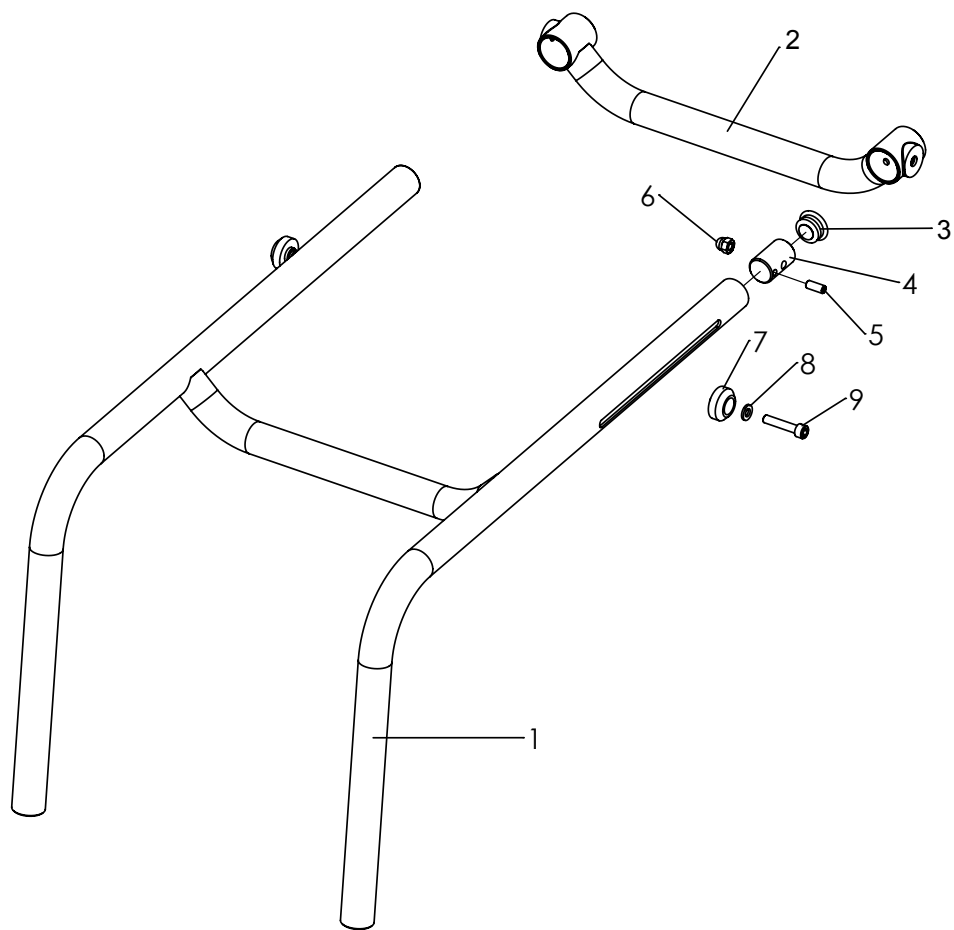
- Colour
- Item number
- Size
- Serial number
- CE-Identification
- Type designation / Produkt name
- Maximum user wight / Maximum load
- Manufacturer
- Manufactur
- Year of manufactur

2 Model overview



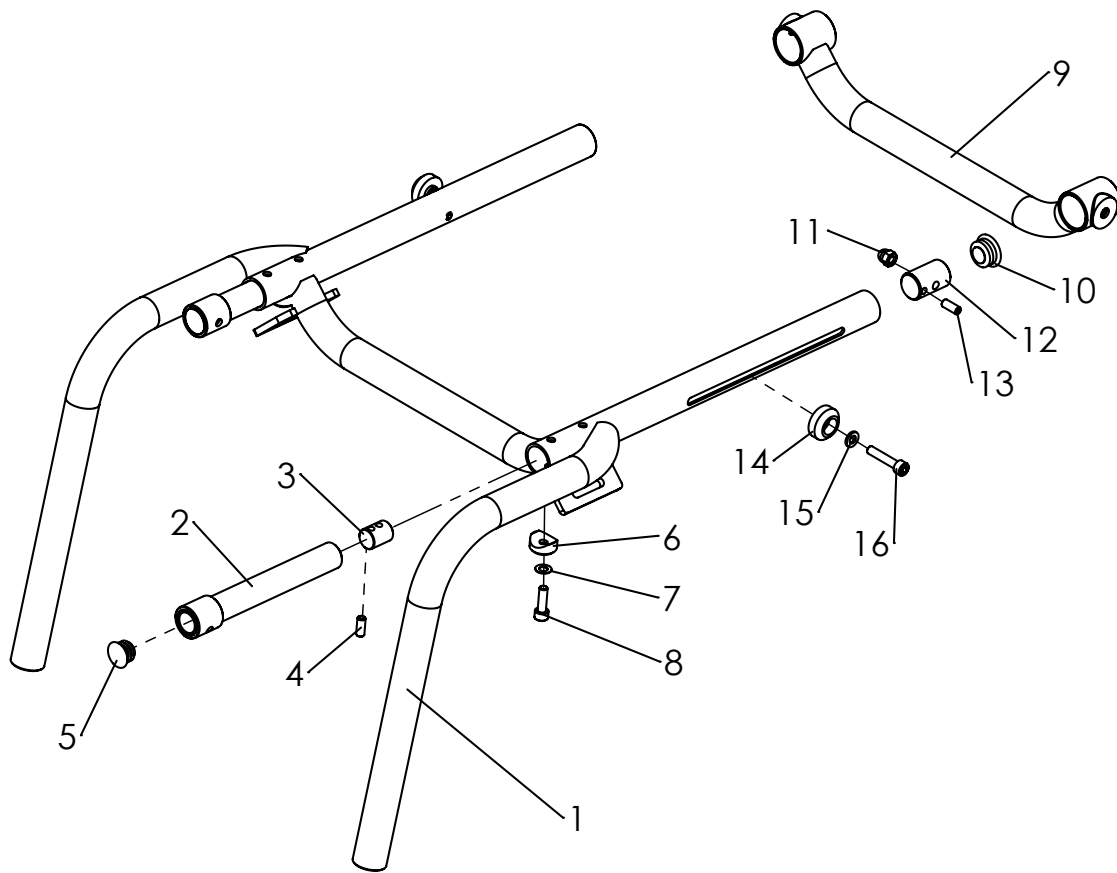
Pos	Articel number	Articel description	Page	
1	12XX-100X	Wheel fork and Wheels	ab	24
2	129X-XXXX	Rear wheels	ab	26
3	3220-11XX	Beam Cesa		8
4	3220-XXXX	Back	ab	12
5	327X-16XX	Wheel cover	ab	41
6	3220-21XX	Seat panel		11
7	322X-13SB	Seat frame		6
8	3221-12SB	Axel tube		9
9	3221-4XSB	Foot rest	ab	17

Spare parts



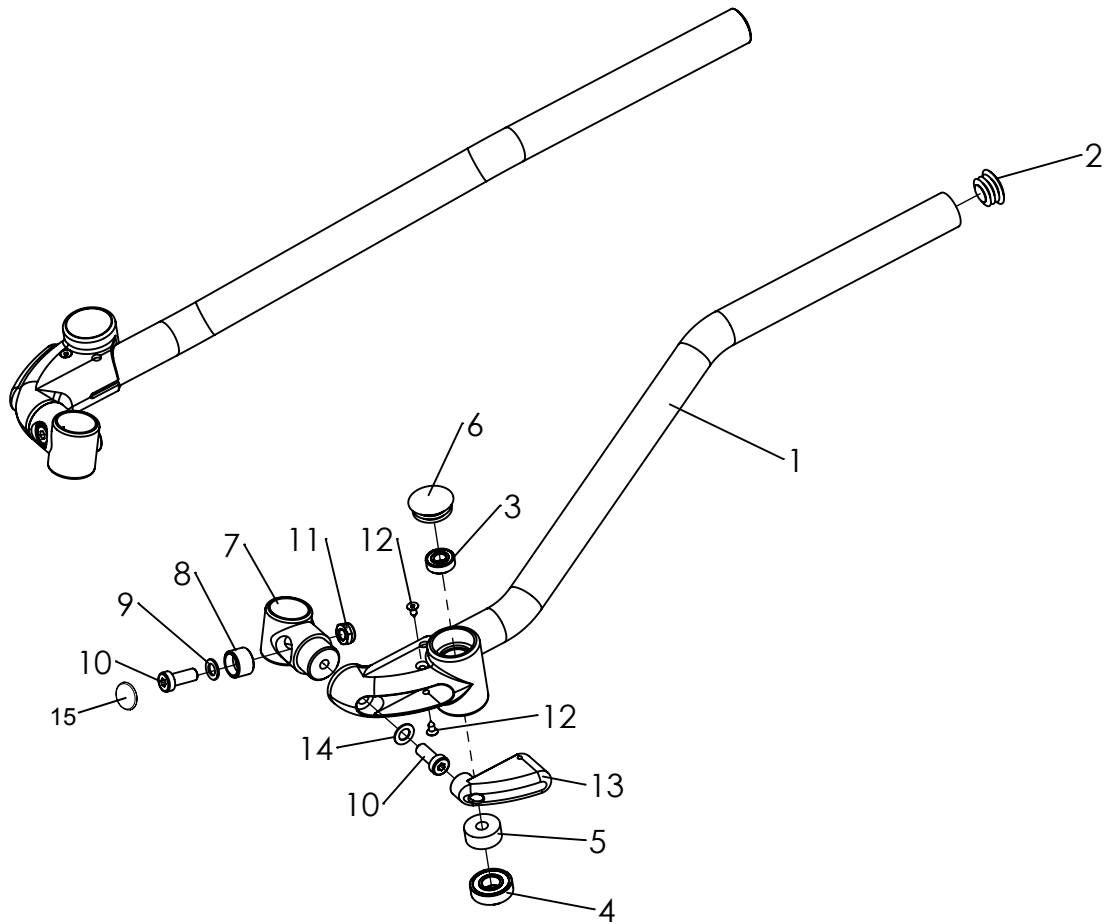
Pos	Article number	Article description	Quantity	Unit
1	3220-13SW-000	Seat frame CESA, size 1, from SW 24 to 30	1	Pc.
	3221-13SW-000	Seat frame CESA, size 2, from SW 28 to 36	1	Pc.
	3222-13SW-000	Seat frame CESA, size 3, from SW 34 to 44	1	Pc.
2-9	3221-16SBE	Cross strut seat frame rear, SW according to order, in frame colour, with inserts (retrofit)	1	Pc.
2	3221-16SW-000	Cross strut seat frame rear	1	Pc.
3	1141-0009	Ribbed insert SFL 25x1-2,5	2	Pc.
4	3221-1152	Clamping insert seatstay	2	Pc.
5	1139-0002	Spring-loaded pressure piece with ball	2	Pc.
6	1044-0006	Hexagonal domed cap nut self-locking M6	2	Pc.
7	3221-1154-007	Clamping disc seat frame black anodized	2	Pc.
8	1051-0006	Washer A6,4	2	Pc.
9	1021-0630	Hexagon socket head cap screw M6x30	2	Pc.

Spare parts



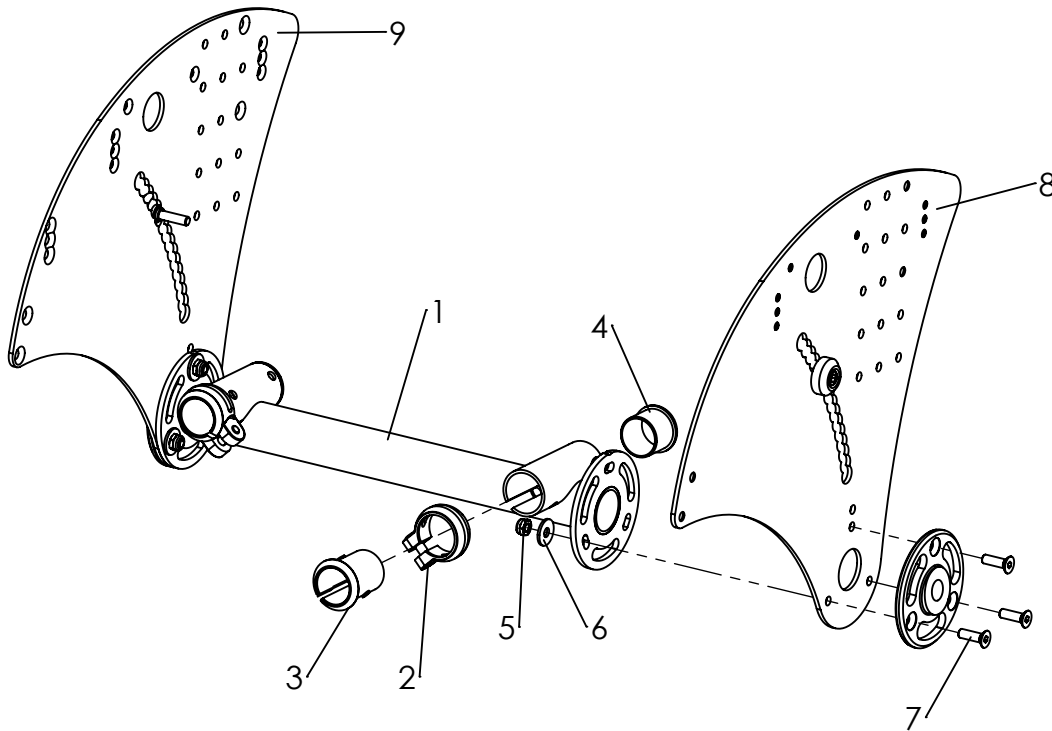
Pos	Article number	Article description	Quantity	Unit
1	3227-13SW-000	Seat frame CESA Abdu size 1	1	Pc.
	3228-13SW-000	Seat frame CESA Abdu size 2	1	Pc.
	3229-13SW-000	Seat frame CESA Abdu size 3	1	Pc.
2-8	3228-1410E	Seat depth adjuster CESA Abdu, complete with fasteners	2	Pc.
2	3228-1410-007	Seat depth adjuster	2	Pc.
3	3221-4121-008	Clamping insert foot rest	2	Pc.
4	1139-0002	Spring-loaded pressure piece with ball	2	Pc.
5	1141-0006	Ribbed insert SFL 20x0,8-2,5	2	Pc.
6	3224-1423-007	Saddle washer 20x12,5x6,2	2	Pc.
7	1052-0006	Spring washer B6	2	Pc.
8	1021-0620	Hexagon socket head cap screw M6x20	2	Pc.
9-16	3221-16SBE	Cross strut seat frame rear, SW according to order, in frame colour, with inserts (retrofit)	1	Pc.
9	3221-16SB-000	Cross strut seat frame rear	1	Pc.
10	1141-0009	Ribbed insert SFL 25x1-2,5	2	Pc.
11	1044-0006	Hexagonal domed cap nut self-locking M6	2	Pc.
12	3221-1152	Clamping insert seatstay	2	Pc.
13	1139-0002	Spring-loaded pressure piece with ball	2	Pc.
14	3221-1154-007	Clamping disc seat frame black anodized	2	Pc.
15	1051-0006	Washer A6,4	2	Pc.
16	1021-0630	Hexagon socket head cap screw M6x30	2	Pc.

Spare parts



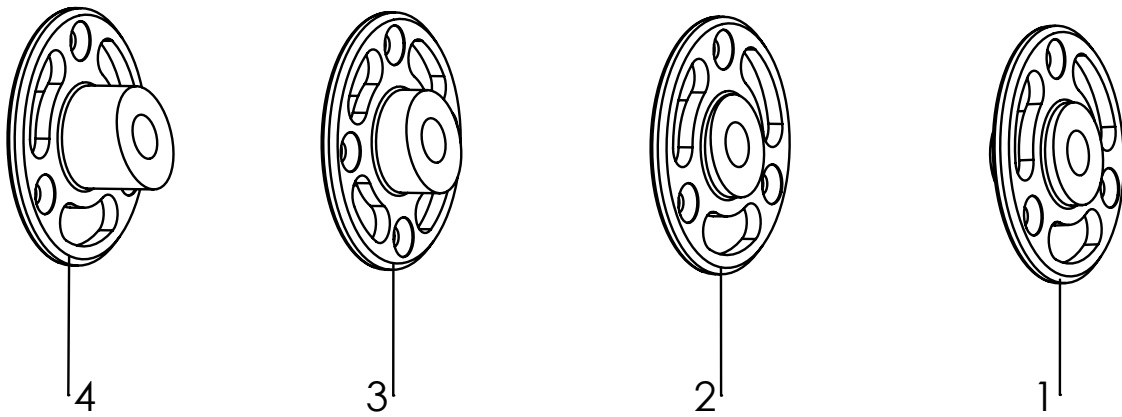
Pos	Article number	Articel description	Quantity	Unit
1-6	3220-1110E-000	Beam CESA left size. 1	1	Pc.
	3221-1110E-000	Beam CESA left size. 2	1	Pc.
	3222-1110E-000	Beam CESA left size. 3	1	Pc.
	3220-1120E-000	Beam CESA right size. 1	1	Pc.
	3221-1120E-000	Beam CESA right size. 2	1	Pc.
	3222-1120E-000	Beam CESA right size. 3	1	Pc.
	3227-1110E-000	Beam CESA Abdu, left size. 1	1	Pc.
	3228-1110E-000	Beam CESA Abdu, left size. 2	1	Pc.
	3229-1110E-000	Beam CESA Abdu, left size. 3	1	Pc.
	3227-1120E-000	Beam CESA Abdu, right size. 1	1	Pc.
	3228-1120E-000	Beam CESA Abdu, right size. 2	1	Pc.
	3229-1120E-000	Beam CESA Abdu, right size. 3	1	Pc.
2	1141-0009	Ribbed insert SFL 25x1-2,5	1	Pc.
3	1090-0001	Grooved ball bearing D19xd8x6	1	Pc.
4	1090-0005	Grooved ball bearing D28xd12x8	1	Pc.
5	3240-1172	Abrasive sleeve	1	Pc.
6	1141-0016	Ribbed insert SFL 30 30x0,8-2,5	1	Pc.
7	3221-1151-055	Clamp seat frame	1	Pc.
8	3221-1156	Clamping wedge	1	Pc.
9	1059-0011	Shim ring 8x14x1,2	1	Pc.
10	1022-0820	Hexagon socket head cap screw M8x20	2	Pc.
11	1042-0008	Hexagon nut self-locking M8	1	Pc.
12	1039-0004-033	Countersunk sheet metal screw 3.9x9.5 mm	2	Pc.
13	3221-1155	Rubber bumper left / right	1	Pc.
14	1052-0008	Spring washer B8	1	Pc.
15	1141-0031	Cap D 18 for 5 mm Allen key, black	1	Pc.

Spare parts



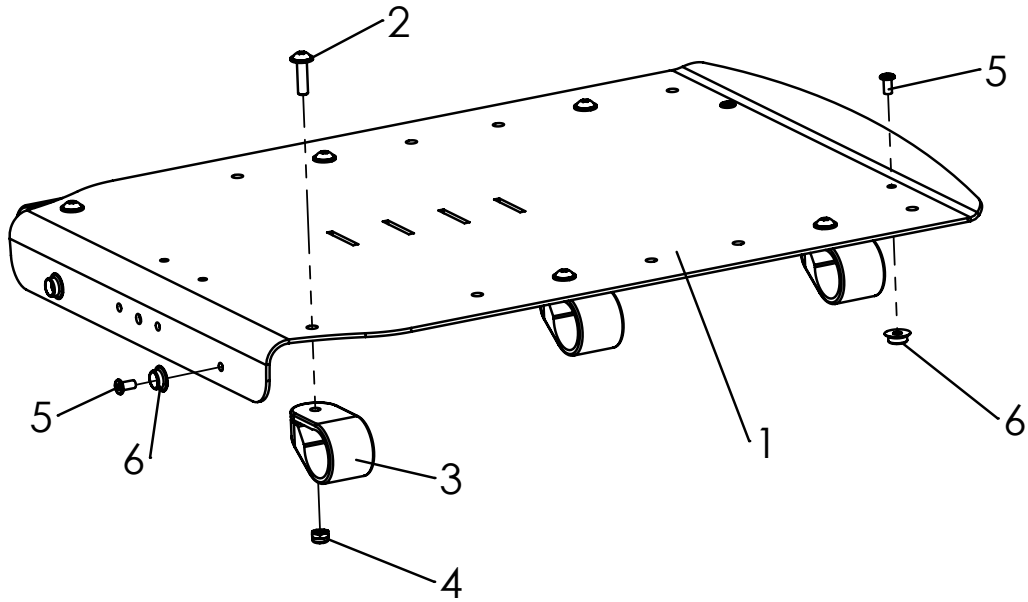
Pos	Article number	Article description	Quantity	Unit
1-7	3221-12SWE-000	Axel tube in frame colour	1	Pc.
2	1129-0008	Saddle clamp with bolt D 31,8	2	Pc.
3	3301-1240	Clamp bushing	2	Pc.
4	3301-1530	Flange bushing	2	Pc.
5	1042-0006	Hexagon nut self-locking M6	6	Pc.
6	1055-0006	Washer A6,4	6	Pc.
7	1024-0620	Hexagon socket countersunk head screw M6x20	6	Pc.
8	3220-1523-015	Base plate aluminum, left 20", black	1	Pc.
	3221-1523-015	Base plate aluminum, left 22", black	1	Pc.
	3221-1523-015	Base plate aluminum, left 24", black	1	Pc.
	3227-1523-015	Base plate aluminum CESA Abdu , left 20", black	1	Pc.
	3228-1523-015	Base plate aluminum CESA Abdu , left 22", black	1	Pc.
	3229-1523-015	Base plate aluminum CESA Abdu , left 24", black	1	Pc.
9	3220-1524-015	Base plate aluminum, right 20", black	1	Pc.
	3221-1524-015	Base plate aluminum, right 22", black	1	Pc.
	3221-1524-015	Base plate aluminum, right 24", black	1	Pc.
	3227-1524-015	Base plate aluminum CESA Abdu , right 20", black	1	Pc.
	3228-1524-015	Base plate aluminum CESA Abdu , right 22", black	1	Pc.
	3229-1524-015	Base plate aluminum CESA Abdu , right 24", black	1	Pc.

Spare parts



Pos	Article number	Article description	Quantity	Unit
1	3275-1296-006	Camber adapter anodized 3°	2	Pc.
2	3275-1292-006	Camber adapter anodized 6°	2	Pc.
3	3275-1293-006	Camber adapter anodized 9°	2	Pc.
4	3275-1294-006	Camber adapter anodized 12°	2	Pc.

Spare parts

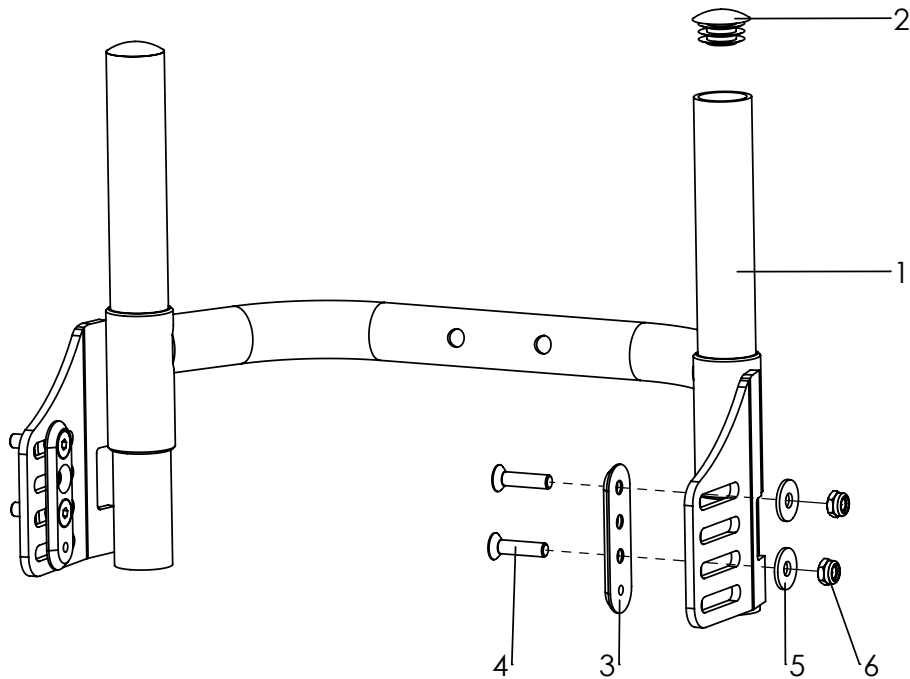


Pos	Article number	Article description	Quantity	Unit
1-3	3220-21SW-052	Seat panel CESA black matt	1	Pc.
2	1030-0518	Button head socket screw with flange M5x18	6	Pc.
3	3245-3311	Gripper clamp	6	Pc.
4	1042-0005	Hexagon nut self-locking M5	6	Pc.
5	1061-0406	Blind rive F4x6	4	Pc.
6	1533-0005	Ring-ball part DRK 95B	4	Pc.
	3220-2110	Fastener kit, with 8 Gripper clamps	1	Set

From seat panel SW40, Pos. 2, 3 and 4, each 8 pc.

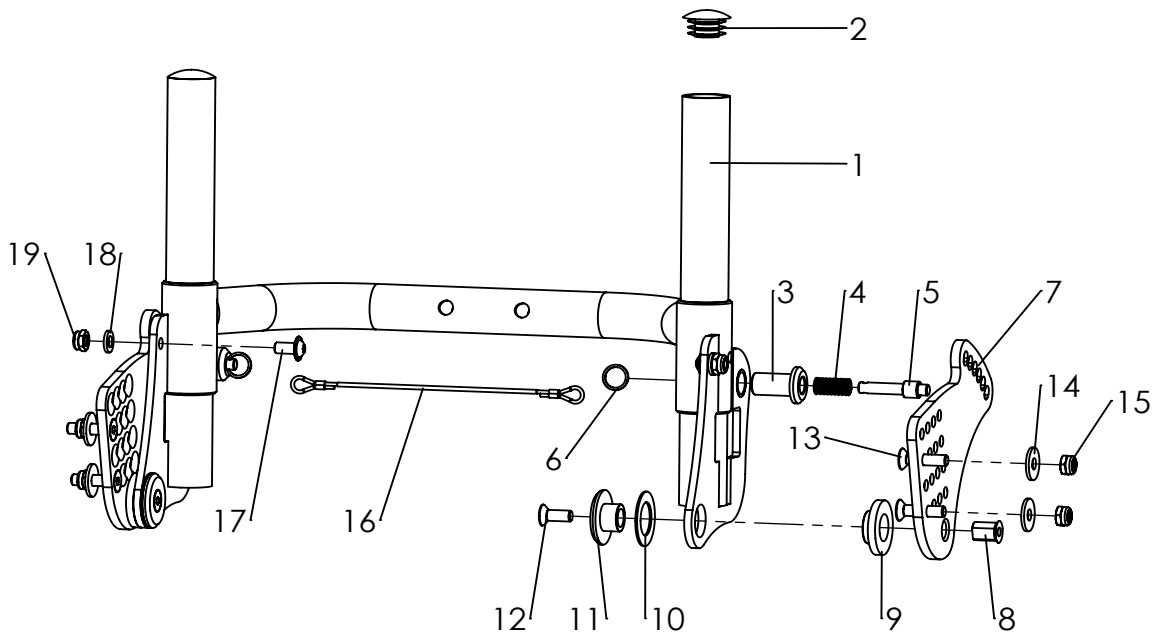
Pos. 5 and 6 only with seat cushion!

Spare parts



Pos	Article number	Articel description	Quantity	Unit
1-6	3220-31SWE-000	Back base "rigid" in frame color, back height 20	1	Pc.
	3220-32SWE-000	Back base "rigid" in frame color, back height 25	1	Pc.
	3220-33SWE-000	Back base "rigid" in frame color, back height 30	1	Pc.
	3220-34SBE-000	Back base "rigid" in frame color, back height 35	1	Pc.
1	3221-31SB-000	back base frame "rigid" back height 20, SW and frame colour according to order	1	Pc.
	3221-32SB-000	back base frame "rigid" back height 25, SW and frame colour according to order	1	Pc.
	3221-33SB-000	back base frame "rigid" back height 30, SW and frame colour according to order	1	Pc.
	3221-34SB-000	back base frame "rigid" back height 35, SW and frame colour according to order	1	Pc.
2	1141-0009	Ribbed insert SFL 25	2	Pc.
3	3221-3212	Pressure plate back base	2	Pc.
4	1024-0625	Hexagon socket countersunk head screw M6x25	4	Pc.
5	1055-0006	Washer zp A6,4	4	Pc.
6	1042-0006	Hexagon nut self-locking M6	4	Pc.

Spare parts



Pos	Article number	Article description	Quantity	Unit
1-19	3220-35SW-000	Back base "angle adjustable and foldable" , BH 20	1	Pc.
	3220-36SW-000	Back base "angle adjustable and foldable" , BH 25	1	Pc.
	3220-37SW-000	Back base "angle adjustable and foldable" , BH 30	1	Pc.
	3220-38SW-000	Back base "angle adjustable and foldable" , BH 35	1	Pc.
1	3221-35SW-000	Back base frame "angle adjust.+foldable" BH 20, SW and frame colour according to order	1	Pc.
	3221-36SW-000	Back base frame "angle adjust.+foldable" BH 25, SW and frame colour according to order	1	Pc.
	3221-37SW-000	Back base frame "angle adjust.+foldable" BH 30, SW and frame colour according to order	1	Pc.
	3221-38SB-000	Back base frame "angle adjust.+foldable" BH 35, SW and frame colour according to order	1	Pc.
2	1141-0009	Ribbed insert SFL 25x1-2,5	2	Pc.
3	3230-2322	Bolt socket	2	Pc.
4	1131-0036	Compression spring D-127	2	Pc.
5	3201-7530	Lock pin	2	Pc.
6	1129-0036	Key ring 16x1,6	2	Pc.
7	3221-3511-007	Bearing back plate base angle adjustable left black anodized	1	Pc.
	3221-3512-007	Bearing back plate base angle adjustable right black anodized	1	Pc.
8	3221-3516	Threaded sleeve M6 back base	2	Pc.
9	3221-3518	Joint socket back base	2	Pc.
10	1113-0070	Washer plastik 18,5x30x0,5	2	Pc.
11	3221-3517-007	Axel back base angle adjustable	2	Pc.
12	1024-0616	Hexagon socket countersunk head screw M6x16	2	Pc.
13	1024-0625	Hexagon socket countersunk head screw M6x25	4	Pc.
14	1055-0006	Washer A6,4	4	Pc.
15	1042-0006	Hexagon nut self-locking M6	4	Pc.
16*	3220-35XX	Wire rope for angle adjustment	1	Pc.
17	1030-0612	Button head socket screw with flange M6x12	2	Pc.
18	1051-0006	Washer A6,4	2	Pc.
19	1042-0006	Hexagon nut self-locking M6	2	Pc.

SW=	24	26	28	30	32	34	36	38	40	42	44
XX=	81	82	83	84	85	86	87	88	89	91	92

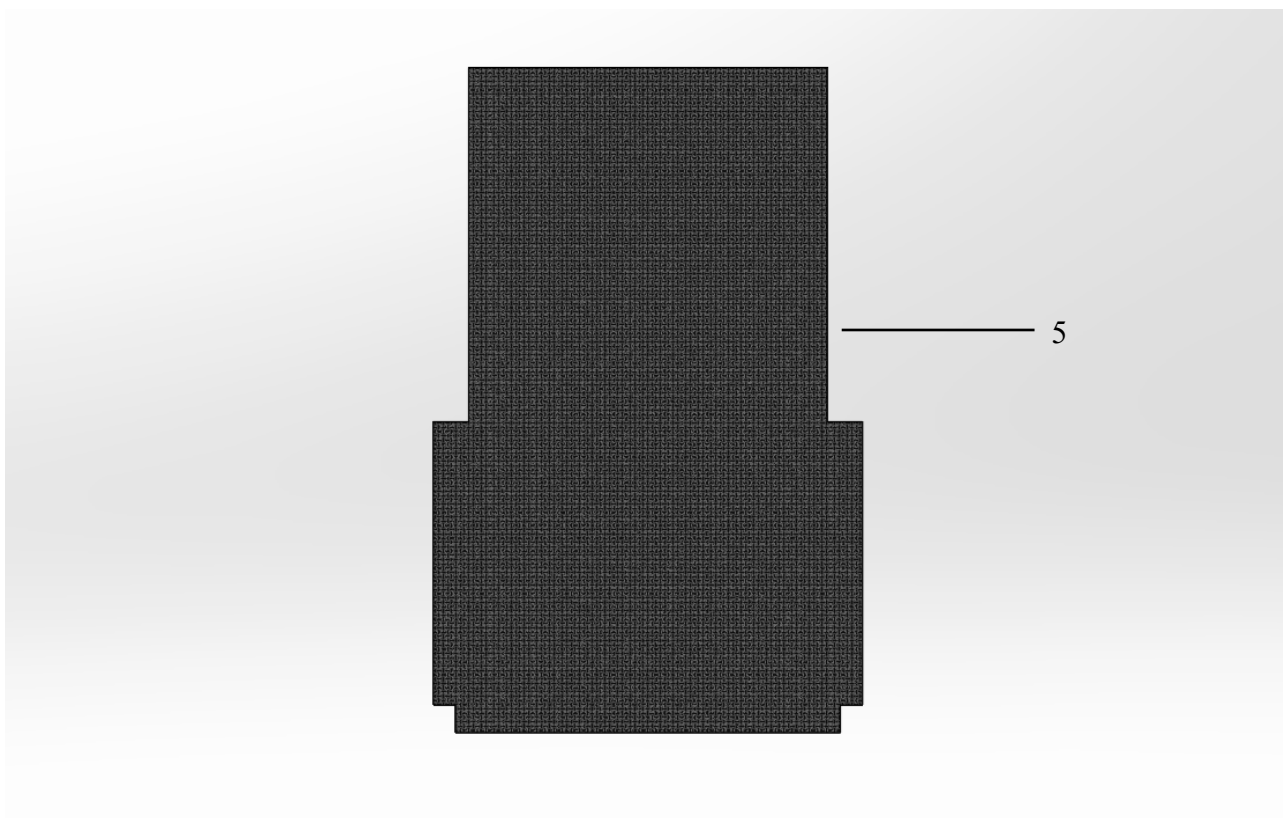
When orderd please replace XX withe correct number!

Spare parts

Pos	Article number	Article description	Quantity	Unit
BH25 3220-56SWE				
		Adaptable back cover	1	Set
	* 1500-0010	Loop strap black 16 mm self adhesive,	0,11m long	2x
1	1500-0014	Back to Back on roll black 25 mm		2x
2	1500-0015	Back to Back on roll black 30 mm		2x
3	1500-0009	Back to Back on roll black 20 mm		1x
5	3252-73SW	SUPRA back cushion nylon black BH 25-35		1x
BH 30 3220-57SWE				
		Adaptable back cover	1	Set
	* 1500-0010	Loop strap black 16 mm self adhesive,	0,16m long	2x
1	1500-0014	Back to Back on roll black 25 mm		1x
2	1500-0017	Back to Back on roll black 50 mm		1x
3	1500-0015	Back to Back on roll black 30 mm		2x
4	1500-0009	Back to Back on roll black 20 mm		1x
5	3253-73SW	SUPRA back cushion nylon black BH 30-40		1x
BH35 3220-58SWE				
		Adaptable back cover	1	Set
	* 1500-0010	Loop strap black 16 mm self adhesive,	0,21m long	2x
1	1500-0014	Back to Back on roll black 25 mm		1x
2	1500-0017	Back to Back on roll black 50 mm		1x
3	1500-0015	Back to Back on roll black 30 mm		3x
4	1500-0009	Back to Back on roll black 20 mm		1x
5	3253-73SW	SUPRA back cushion nylon black BH 30-40		1x

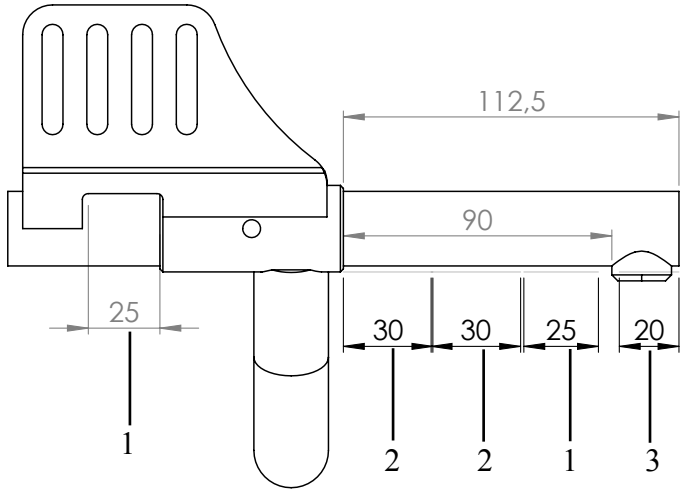
* *To be placed on the side of the Back base tubes!*

SW =	24	26	28	30	32	34	36	38	40	42	44
Back to Back längde	0,65m	0,72m	0,80m	0,87m	0,95m	1,2m	1,10m	1,17m	1,25m	1,32m	1,40m

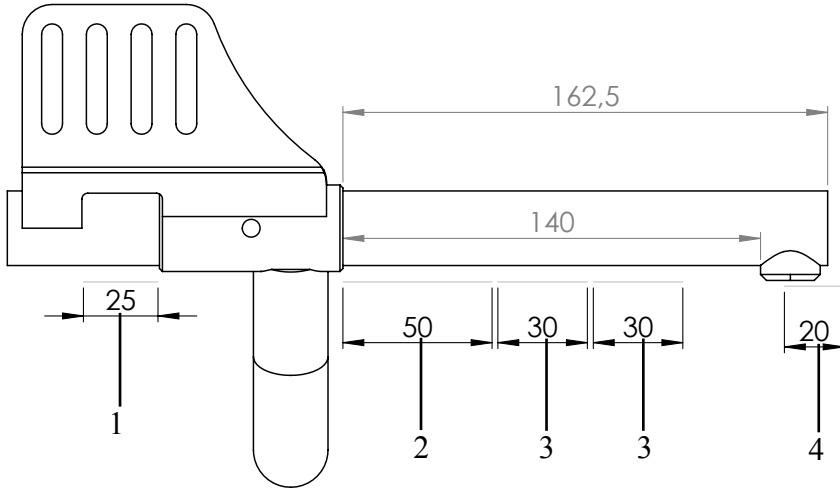


Spare parts

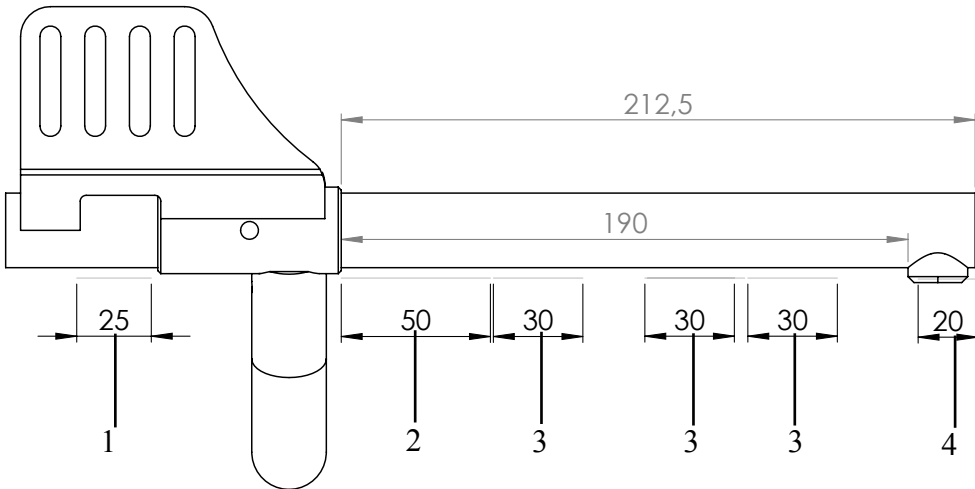
25



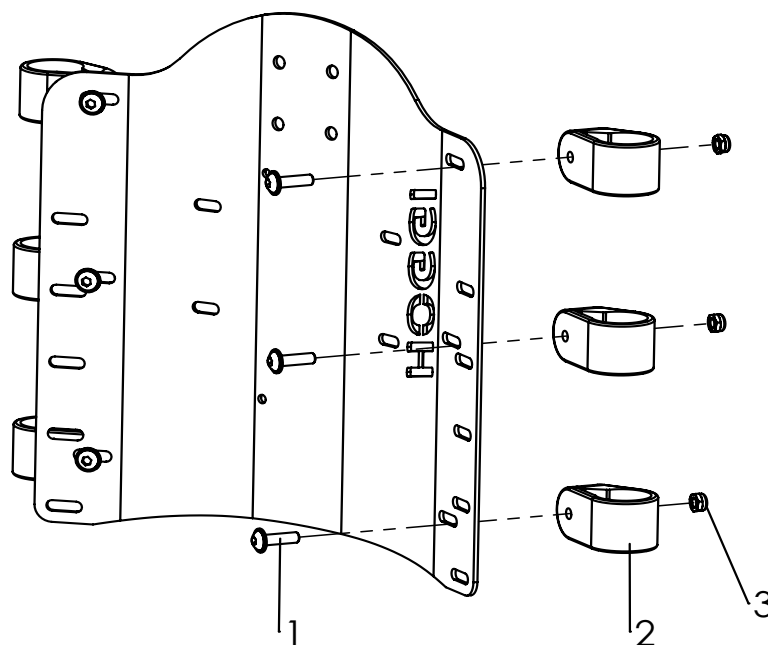
30



35



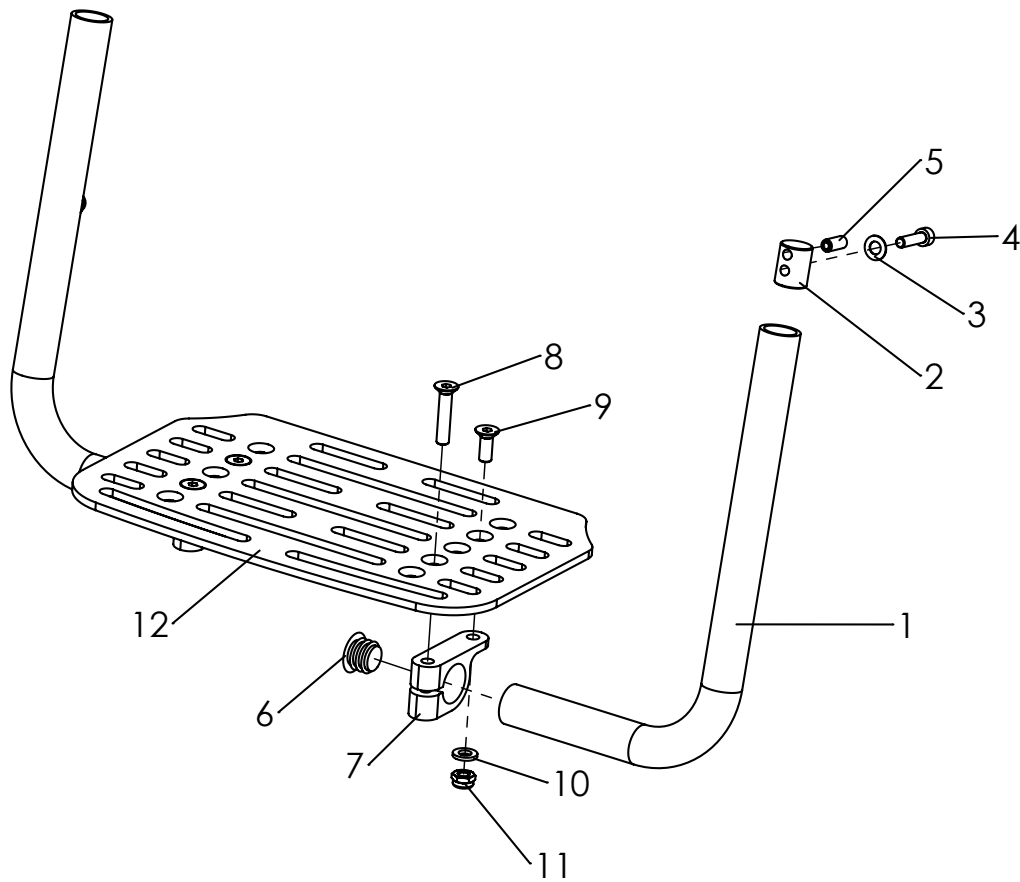
Spare parts



Pos	Article number	Articel description	Quantity	Unit
1-4	3220-51SWE	Back panel CESA in frame color, back height 20	1	Pc.
	3220-52SWE	Back panel CESA in frame color, back height 25	1	Pc.
	3220-53SWE	Back panel CESA in frame color, back height 30	1	Pc.
	3220-54SWE	Back panel CESA in frame color, back height 35	1	Pc.
2	1030-0518	Button head socket screw with flange M5x18	6	Pc.
3	3245-3311	Gripper clamp	6	Pc.
4	1042-0005	Hexagon nut self-locking M5	6	Pc.

Back panel for Cesa in frame colour, BH 20 only from SW 24 till SW36, possible!

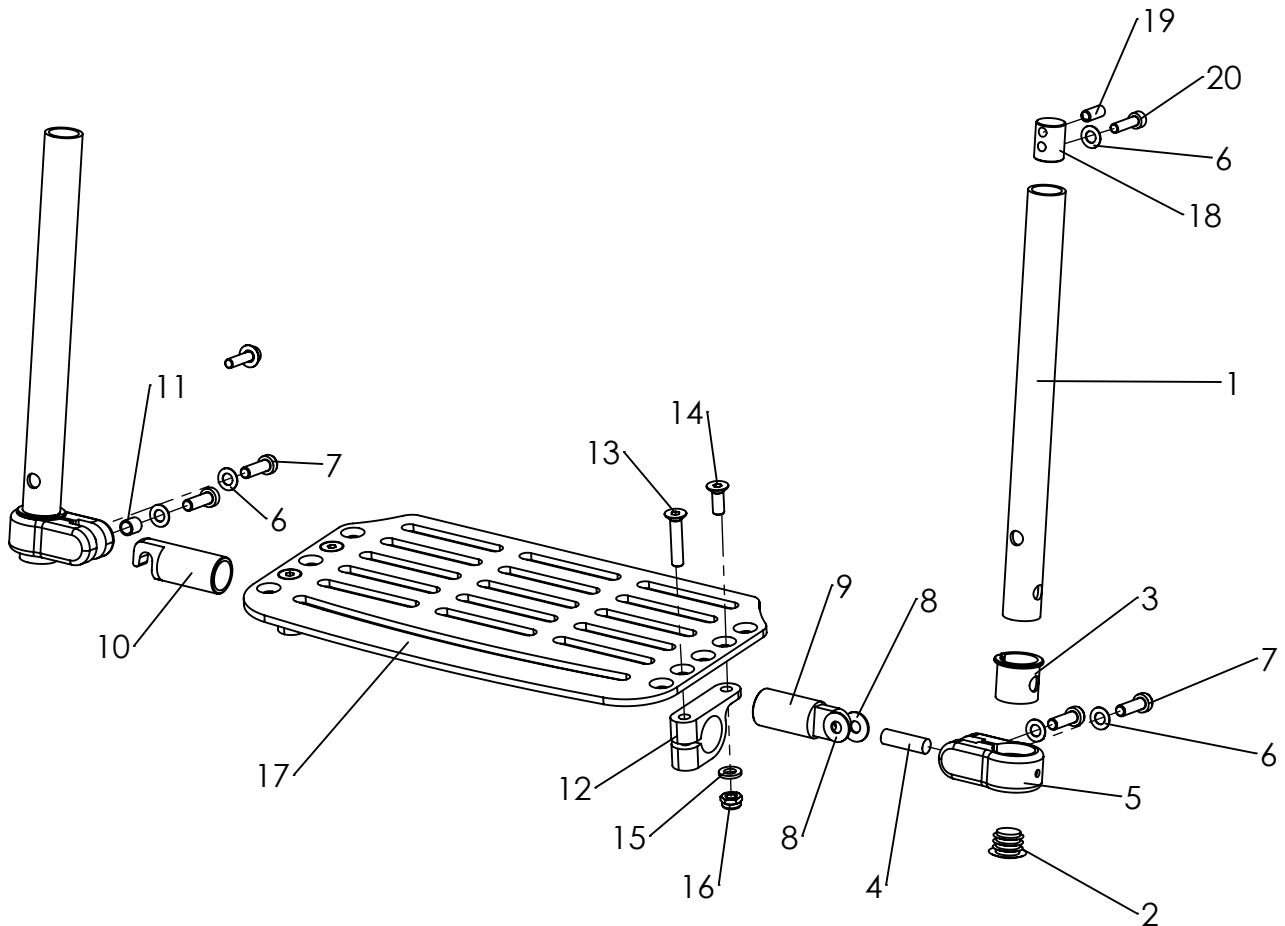
Spare parts



Pos	Article number	Article description	Quantity	Unit
1-12	3221-41SWE-000	Footrest system standard, one piece foot plate, angle adjustable	1	Pc.
	3227-41SWE-000	Footrest system standard Abdu, one piece foot plate, angle adjustable	1	Pc.
1	3221-4111-007	Footrest bracket left size. 2 black anodized	1	Pc.
	3221-4112-007	Footrest bracket right size. 2 black anodized	1	Pc.
2	3221-4121-008	Clamping insert foot rest	2	Pc.
3	1051-0006	Spring washer B6	2	Pc.
4	1021-0620	Hexagon socket head screw M6x20	2	Pc.
5	1139-0002	Spring-loaded pressure piece with ball	2	Pc.
6	1141-0006	Ribbed insert SFL 20x0,8-2,5	2	Pc.
7	3261-2116-007	Footboard clamp anodized	2	Pc.
8	1024-0630-033	Hexagon socket countersunk head screw black M6x30	2	Pc.
9	1024-0616-033	Hexagon socket countersunk head screw black M6x16	2	Pc.
10	1051-0006	Washer A6,4	2	Pc.
11	1042-0006	Hexagon nut self-locking M6	2	Pc.
12*	3221-42SB-000	Foot board	1	Pc.

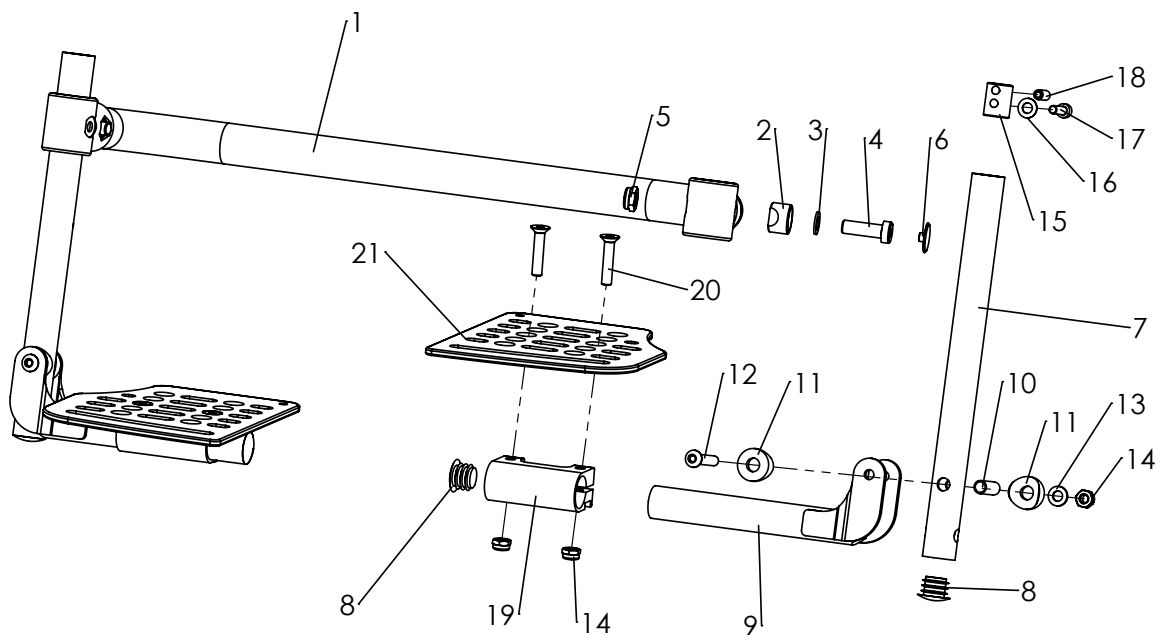
* **ABDU foot board always is SW plus 6 (e.g. SW 24 + 6 = foot board 30) Max. SW38**

Spare parts



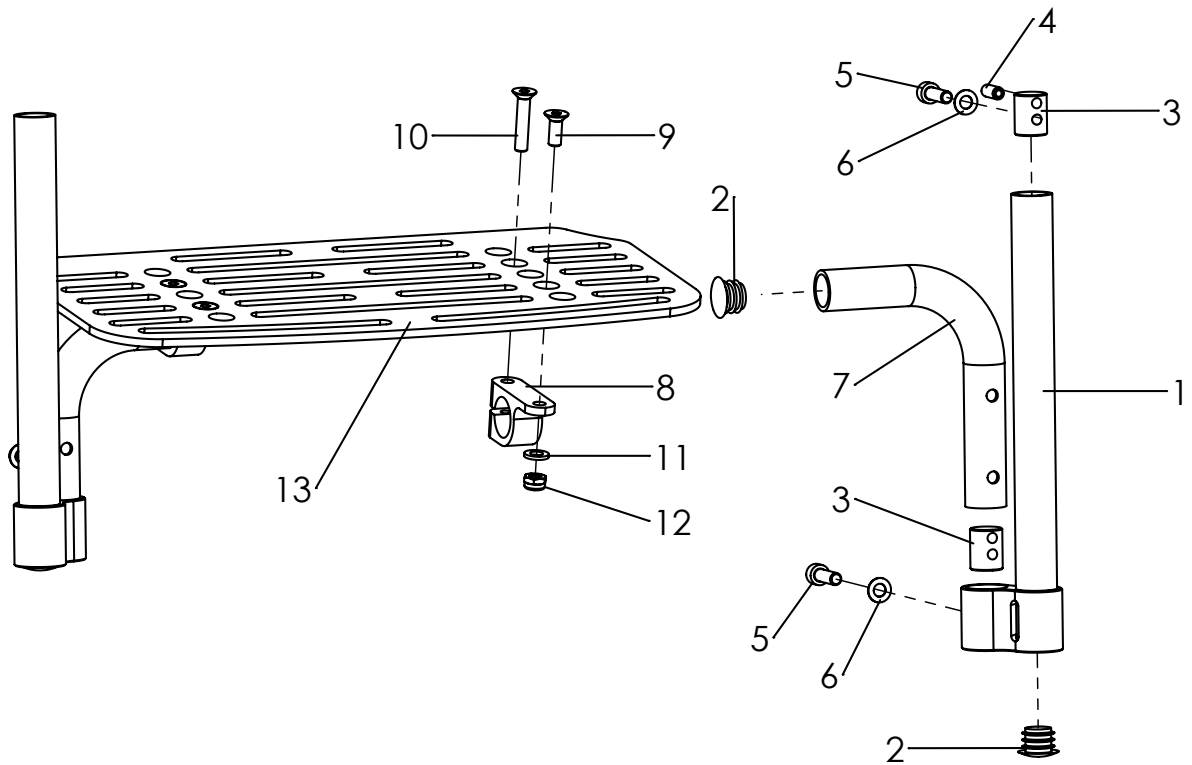
Pos	Article number	Article description	Quantity	Unit
1-20	3221-43SWE-000	Footrest system standard, one piece foot plate in frame color, angle adjustable, foldable	1	Pc.
	3227-43SWE-000	Footrest system standard Abdu, one piece foot plate in frame color, angle adjustable, foldable	1	Pc.
1	3221-4311-007	Single footrest mount CESA black anodized	2	Pc.
2	1141-0006	Ribbed insert SFL 20x0,8-2,5	2	Pc.
3	3261-2711	sliding sleeve	2	Pc.
4	1071-0826	Parallel pin DIN/ISO 7 8m6x26	1	Pc.
5	3261-2710-007	Swivel joint	2	Pc.
6	1052-0006	Spring washer B6	6	Pc.
7	1022-0620	Hexagon socket head cap screw M6x20	4	Pc.
8	1113-0046	Washer PE white 16x6,4x1	2	Pc.
9	3261-2713-007	Joint shaft	1	Pc.
10	3261-2712-007	locking claw	1	Pc.
11	1114-0055	Bushing 8x0,8x8,7	1	Pc.
12	3261-2116-007	Footboard clamp anodized	2	Pc.
13	1024-0630-033	Hexagon socket countersunk head screw black M6x30	2	Pc.
14	1024-0616-033	Hexagon socket countersunk head screw black M6x16	2	Pc.
15	1051-0006	Washer A6,4	2	Pc.
16	1042-0006	Hexagon nut self-locking M6	2	Pc.
17	3221-44SB-000	Footboard flip up typ CESA, SW and frame colour according to order	1	Pc.
18	3221-4121-008	Clamping insert foot rest	1	Pc.
19	1139-0002	Spring-loaded pressure piece with ball	1	Pc.
20	1021-0620	Hexagon socket head cap screw M6x20	2	Pc.

Spare parts



Pos	Article number	Article description	Quantity	Unit
1-21	3221-45SWE-000	Single foot plate footrest system in frame color, angle adjustable	1	Set
	3227-45SWE-000	Abdu single foot plate footrest system in frame color, angle adjustable	1	Set
1-6	3220-45SW-000	Cross strut with fasteners CESA, SW and frame color according to order	1	Pc.
1	3220-47SW-000	Cross strut footrest frame CESA, SW and frame colour according to order	1	Pc.
2	3221-1156	Clamping wedge	2	Pc.
3	1059-0011	Shim ring 8x14x1,2	2	Pc.
4	1022-0820	Hexagon socket head cap screw M8x20	2	Pc.
5	1042-0008	Hexagon nut self-locking M8	2	Pc.
6	1141-0031	Cap D 18 for 5 mm Allen key, black	2	Pc.
7	3221-4311-007	Single footrest mount CESA black anodized	2	Pc.
8	1141-0006	Ribbed insert SFL 20x0,8-2,5	4	Pc.
9	3265-2112-007	Foot board carrier, black	2	Pc.
10	1114-0035	Bushing steel zp 8x0,8x26,5	2	Pc.
11	1111-0016	Saddle washer PA black 20x8.4x3	4	Pc.
12	1029-0640	Button head socket screw M6x40	2	Pc.
13	1051-0006	Washer A6,4	2	Pc.
14	1042-0006	Hexagon nut self-locking M6	6	Pc.
15	3221-4121-008	Clamping insert foot rest	2	Pc.
16	1051-0006	Spring washer B6	2	Pc.
17	1021-0620	Hexagon socket head cap screw M6x20	2	Pc.
18	1139-0002	Spring-loaded pressure piece with ball	2	Pc.
19	3261-2118-007	Foot board clamp, black	2	Pc.
20	1024-0630-033	Hexagon socket countersunk head screw black M6x30	4	Pc.
21	3264-2431-000	Foot board L 140 x B 105, links SB 28	1	Pc.
	3264-2433-000	Foot board L 140 x B 105, rechts SB 28	1	Pc.
	3264-2441-000	Foot board L 150 x B 115, links SB 30 / bei ABDU SB 24	1	Pc.
	3264-2443-000	Foot board L 150 x B 115, rechts SB 30 / bei ABDU SB 24	1	Pc.
	3264-2411-000	Foot board L 160 x B 125, links SB 32 + SB 34 / bei ABDU SB 26 + SB 28	1	Pc.
	3264-2413-000	Foot board L 160 x B 125, rechts SB 32 + SB 34 / bei ABDU SB 26 + SB 28	1	Pc.
	3265-2421-000	Foot boardtt L 160 x B 145, links SB 36 + SB 38 / bei ABDU SB 30 + SB 32	1	Pc.
	3265-2423-000	Foot board L 160 x B 145, rechts SB 36 + SB 38 / bei ABDU SB 30 + SB 32	1	Pc.
	3265-2431-000	Foot board L 175 x B 165, links SB 40 + SB 42 / bei ABDU SB 34 + SB 36	1	Pc.
	3265-2433-000	Foot board L 175 x B 165, rechts SB 40 + SB 42 / bei ABDU SB 34 + SB 36	1	Pc.

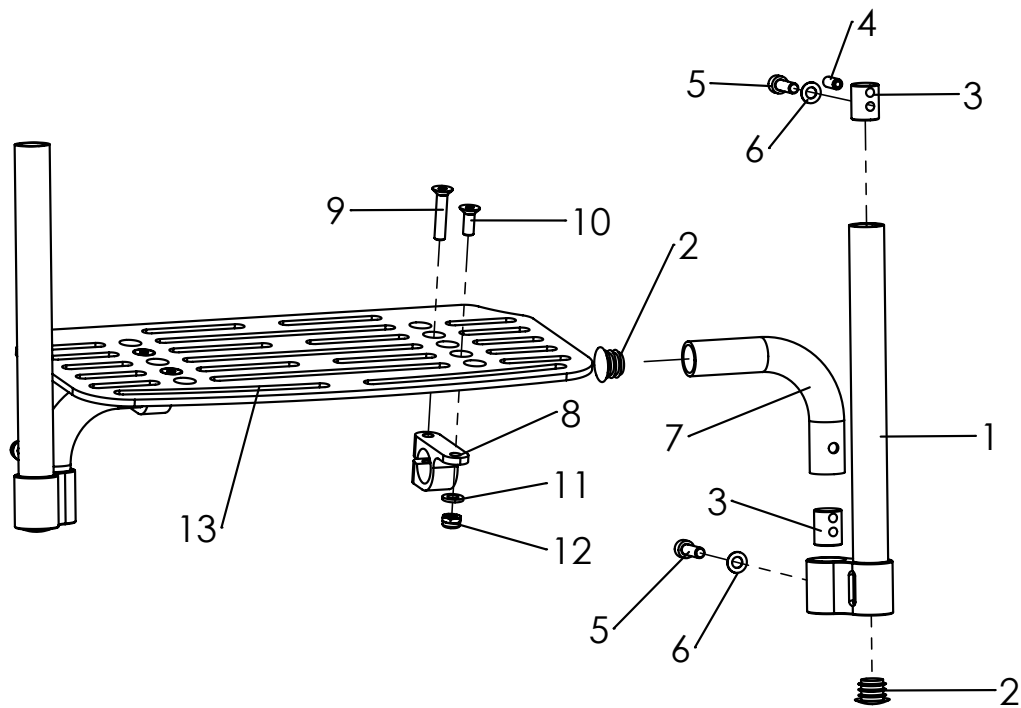
Spare parts



Pos	Article number	Article description	Quantity	Unit
1-13	3221-46SWE-000	Footrest system standard, one piece foot plate, angle adjustable, for short LLL	1	Pc.
	3227-46SWE-000	Footrest system standard, Abdu, one piece foot plate, angle adjustable, for short LLL	1	Pc.
1	3221-4610-007	Footrest bracket high left	1	Pc.
	3221-4620-007	Footrest bracket high right	1	Pc.
2	1141-0006	Ribbed insert SFL 20x0,8-2,5	4	Pc.
3	3221-4121-008	Clamping insert foot rest	4	Pc.
4	1139-0002	Spring-loaded pressure piece with ball	2	Pc.
5	1021-0620	Hexagon socket head cap screw M6x20	2	Pc.
6	1052-0006	Spring washer B6	2	Pc.
7	3220-4613-007	Foot support bracket high short black anodized	2	Pc.
8	3261-2116-007	Footboard clamp black anodized	2	Pc.
9	1024-0616-033	Hexagon socket countersunk head screw black M6x16	2	Pc.
10	1024-0630-033	Hexagon socket countersunk head screw black M6x30	2	Pc.
11	1051-0006	Washer A6,4	2	Pc.
12	1042-0006	Hexagon nut self-locking M6	2	Pc.
13*	3221-42SW-000	Foot board	1	Pc.

* ABDU Foot board = SW plus 6 (e.g. 24 + 6 = Foot board SW 30) Max. SW38

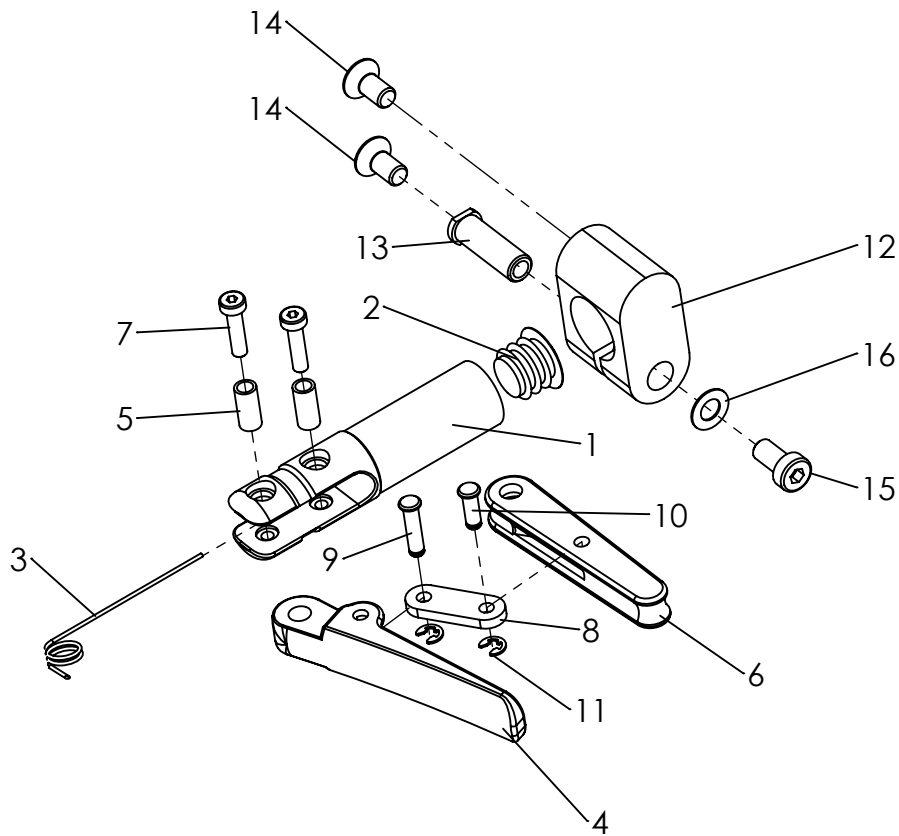
Spare parts



Pos	Article number	Article description	Quantity	Unit
1-13	3221-47SWE-000	Footrest system standard, one piece foot plate in frame color, angle adjustable, for short and medium, LLL	1	Pc.
	3221-47SWE-000	Footrest system standard Abdu, one piece foot plate in frame color, angle adjustable, for short and medium, LLL	1	Pc.
1	3221-4610-007	Footrest bracket high left	1	Pc.
	3221-4620-007	Footrest bracket high right	1	Pc.
2	1141-0006	Ribbed insert SFL 20x0,8-2,5	4	Pc.
3	3221-4121-008	Clamping insert foot rest	4	Pc.
4	1139-0002	Spring-loaded pressure piece with ball	2	Pc.
5	1021-0620	Hexagon socket head cap screw M6x20	2	Pc.
6	1052-0006	Spring washer B6	2	Pc.
7	3220-4614-007	Foot support bracket high long black anodized	2	Pc.
8	3261-2116-007	Footboard clamp black anodized	2	Pc.
9	1024-0616-033	Hexagon socket countersunk head screw black M6x16	2	Pc.
10	1024-0630-033	Hexagon socket countersunk head screw black M6x30	2	Pc.
11	1051-0006	Washer A6,4	2	Pc.
12	1042-0006	Hexagon nut self-locking M6	2	Pc.
13*	3221-42SW-000	Foot board	1	Pc.

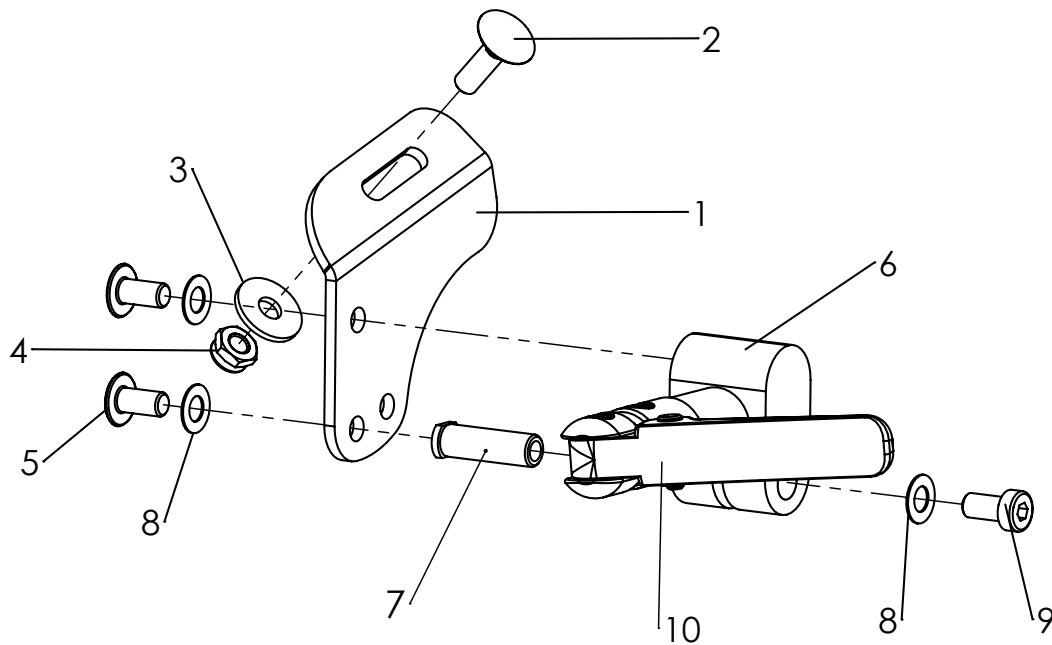
ABDU Foot board = SW plus 6 (e.g. 24 + 6 = Foot board SW 30) Max. SW38

Spare parts



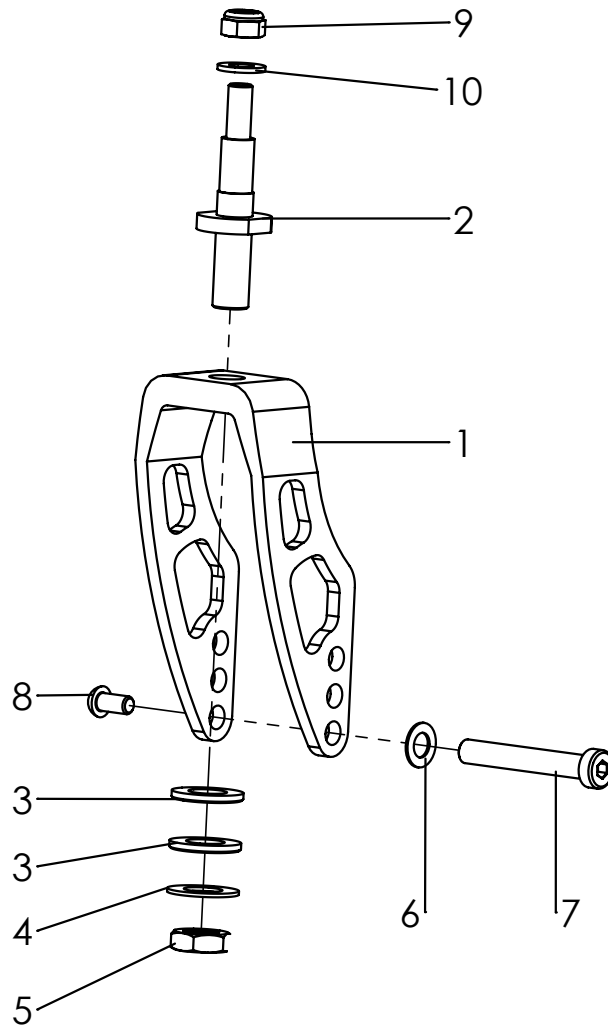
Pos	Article number	Articel description	Quantity	Unit
1-16	3275-1700E	HOGGI light brake CLEO	1	Set
1-11	3275-1703E	HOGGI light brake left, w/o clamp	1	Pc.
	3275-1704E	HOGGI light brake right, w/o clamp	1	Pc.
1	3275-1711	Brake lever holder anodised	2	Pc.
2	1141-0005	Ribbed insert SFL 19x0,8-2,5	2	Pc.
3	1133-0021	Leg spring 1,0 x 7,5 x 2,25	2	Pc.
4	3257-1713	Control lever	2	Pc.
5	1114-0009	Bushing D8x0,8x13	4	Pc.
6	3257-1712	Brake lever	2	Pc.
7	1022-0416	Hexagon socket head cap screw M4x14	4	Pc.
8	3257-1714	Knee lever	2	Pc.
9	3257-1715	Security pin 15	2	Pc.
10	3257-1716	Security pin 10	2	Pc.
11	1081-0003	Security washer 3,2	2	Pc.
12-16	3275-1730E	Clamp break retainer complete	2	Pc.
12	3249-1721-007	Clamp for brake mechanism black anodized	4	Pc.
13	3275-1731	Brake clamp Bearing	2	Pc.
14	1024-0612	Hexagon socket countersunk head screw M6x12	4	Pc.
15	1022-0612	Hexagon socket head cap screw M6x16	2	Pc.
16	1052-0006	Spring washer B6	2	Pc.

Spare parts



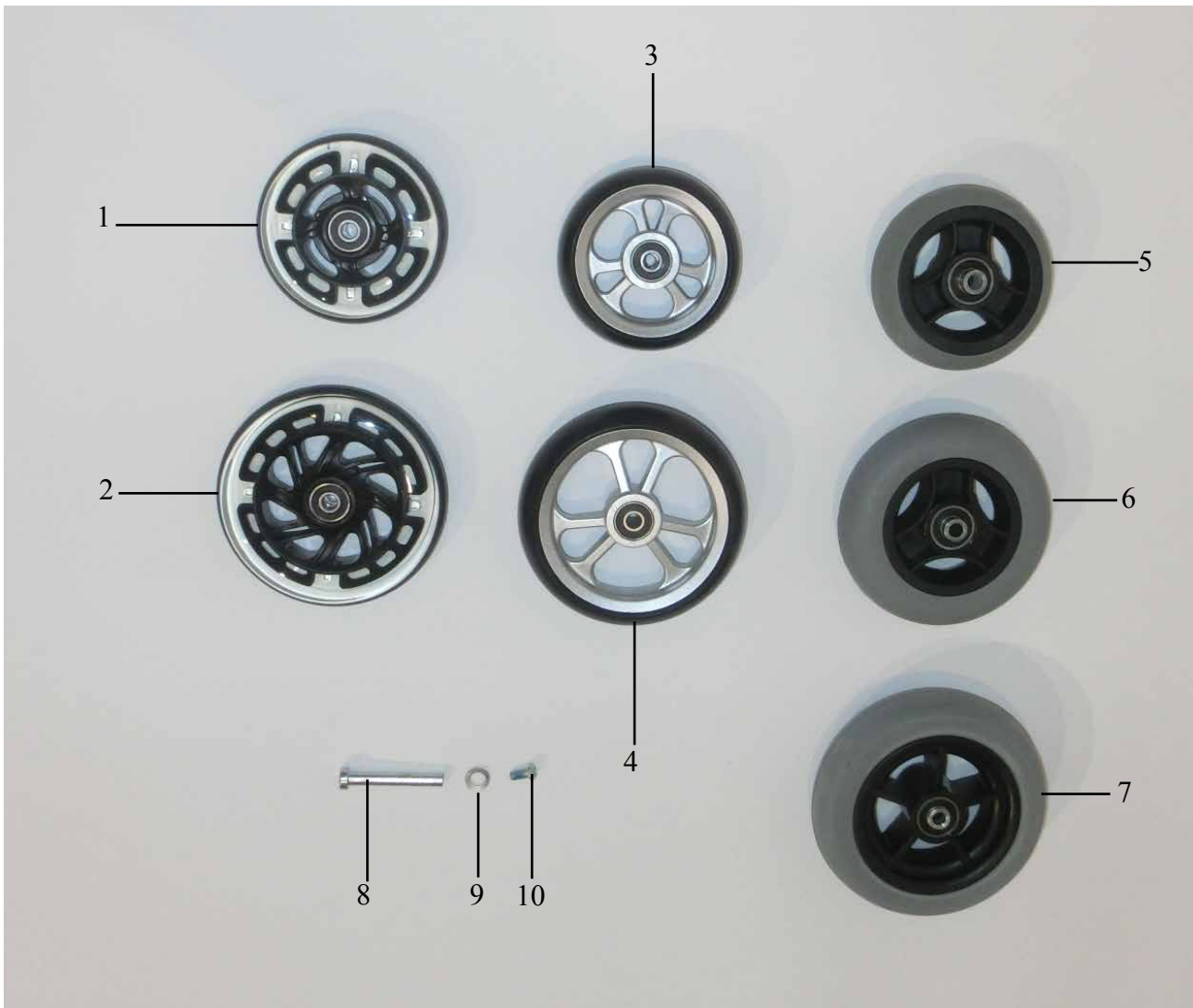
Pos	Article number	Articel description	Quantity	Unit
1-10	3227-1700E	HOGGI light brake CESA-Abdu	1	Set
1-4	3227-1711E-015	Adjusting break plate left, with fasteners	1	Pc.
	3227-1712E-015	Adjusting break plate right, with fasteners	1	Pc.
2	1026-0620	Mushroom head square neck bolt M6x20	2	Pc.
3	1055-0006	Washer A6,4	2	Pc.
4	1042-0006	Hexagon nut self-locking M6	2	Pc.
5-9	3227-1730E	Clamp break retainer CESA-Abdu complete	2	Pc.
5	1030-0612	Button head socket screw with flange M6x12	4	Pc.
6	3249-1721-007	Clamp for brake mechanism black	2	Pc.
7	3275-1731	Brake clamp Bearing	2	Pc.
8	1052-0006	Spring washer B6	4	Pc.
9	1022-0612	Hexagon socket head cap screw M6x16	2	Pc.
10	3275-1703E	HOGGI light brake left, with out clamp	1	Pc.
	3275-1704E	HOGGI light brake right, with out clamp	1	Pc.

Spare parts



Pos	Article number	Artikle description	Quantity	Unit
1-9	1281-0116E	Short Alu wheel fork black with fork axle and wheel axle complete	1	Pc.
1	1281-0016-007	Wheel fork aluminum with 3 Holes, black anodized	1	Pc.
2	1205-0007	wheel fork axle	1	Pc.
3	1051-0012	Washer A 13	2	Pc.
4	1052-0012	Spring washer B12	1	Pc.
5	1043-0012	Hexagon nut M12	1	Pc.
6	1052-0008	Spring washer B8	1	Pc.
7	1205-0009	Wheel axle L54	1	Pc.
8	1029-6001	Button head socket screw, Tufflock M6x12	1	Pc.
9	1042-0008	Hexagon nut self-locking M8	1	Pc.
10	1113-0071	Friction washer plastic black	1	Pc.

Spare parts



Pos	Article number	Articel description	Quantity	Unit
1	1249-0005	Skater wheels with illuminating diode 100x24 (max. 5 Nm)	2	Pc.
2	1249-0006	Skater wheel with illuminating diode 125x24 (max. 5 Nm)	2	Pc.
3	1221-0024	PU-front castor with design plastic rim 100x34	2	Pc.
4	1221-0025	PU-front castor with design plastic rim 125x34	2	Pc.
5	1250-0002	Front castor with solid rubber tires 100x32	2	Pc.
6	1250-0003	Front castor with solid rubber tires 125x32	2	Pc.
7	1250-1440	Front castor with solid rubber tires 140x40	2	Pc.
8	1205-0009	Wheel axle L54	2	Pc.
9	1052-0008	Spring washer B8 zp DIN/ISO 137 B8	2	Pc.
10	1029-6001	Button head socket screw, Tufflock M6x12	2	Pc.
	1205-0047	Spacer for Skater wheels and design plastic rim	2	Pc.

Spare parts



Pos	Article number	Article description	Quantity	Unit
1	1296-0011	Pneumatic wheel 20x1" HOGGI EXTRA LIGHT w/push rims, black	2	Pc.
	1296-0012	Pneumatic wheel 22x1" HOGGI EXTRA LIGHT w/push rims, black	2	Pc.
	1296-0013	Pneumatic wheel 24x1" HOGGI EXTRA LIGHT w/push rims, black	2	Pc.
2	1205-0014	Quick release axle 12 x 98 mm for 20" wheel	2	Pc.
	1205-0046	Quick release axle (with black cover) 12 x 98 mm for 22" and 24" wheel	2	Pc.
3	1205-0011	Adapter M16x1 for quick-release-axle 12/50 mm	2	Pc.
4	1052-0016	Spring washer B16	2	Pc.

Spare parts



Pos	Article number	Article description	Quantity	Unit
1	1211-0007	Pneumatic wheel 20"x1 HOGGI light with out push rims	2	Pc.
	1211-0008	Pneumatic wheel 22"x1 Hoggi light w/o push rims	2	Pc.
	1211-0009	pneumatic wheel 24"x1 Hoggi light w/o without push rims	2	Pc.
	1221-0009	Rear wheels with PU-tires 20"x1 3/8 HOGGI light w/o push rims	2	Pc.
	1221-0010	Rear wheels with PU-tires 22"x1 HOGGI light w/o push rims	2	Pc.
	1221-0011	Rear wheels with PU-tires 24"x1 HOGGI light w/o push rims	2	Pc.
2	1205-0010	Adapter with nut M16x1 for quick-release-axle 12/45 mm	2	Pc.
3	1205-0014	Quick release axle 12 x 98 mm	2	Pc.
4	1052-0016	Spring washer B16	2	Pc.
Spare parts				
	1201-0003	Tube for wheel 20x1	2	Pc.
	1201-0004	Tube for wheel 22x1	2	Pc.
	1201-0005	Tube for wheel 24x1	2	Pc.
	1201-0006	Rim band 20"	2	Pc.
	1201-0007	Rim band 22"	2	Pc.
	1201-0008	Rim band 24"	2	Pc.
	1200-0003	Tire for wheel 20x1" grey (Schwalbe Puncture Protection) RAC, SBO	2	Pc.
	1200-0006	Tire for wheel 22x1" RightRun HS387 Light, SBO	2	Pc.
	1200-0007	Tire for wheel 24x1" RightRun HS387 Light, SBO	2	Pc.
	1203-0005	PU-tire 20x1 3/8" grey	2	Pc.
	1203-0006	PU-tire 22x1" grey	2	Pc.
	1203-0007	PU-tire 24x1" grey	2	Pc.

Spare parts

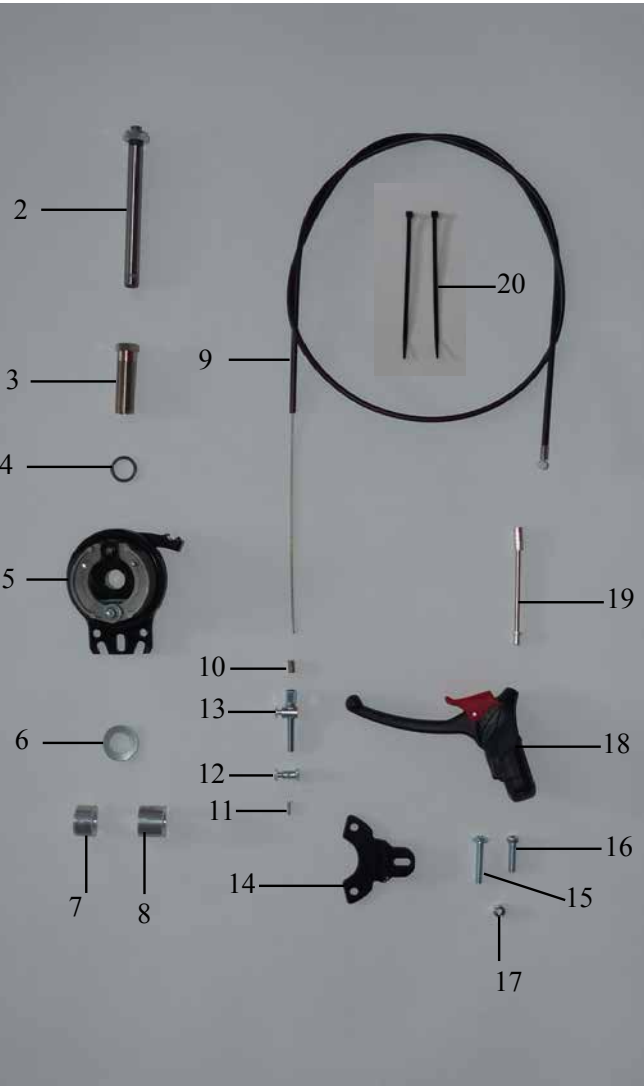


Pos	Article number	Articel description	Quantity	Unit
1	1204-0006	Aluminum hand rim 20", anodised - „standard“	2	Pc.
	1204-0007	Aluminum hand rim 22", anodised - „standard“	2	Pc.
	1204-0008	Aluminum hand rim 24", anodised - „standard“	2	Pc.
2	1204-0019	Aluminum hand rim 20", anodised - "large diameter"	2	Pc.
	1204-0020	Aluminum hand rim 22", anodised - „large diameter“	2	Pc.
	1204-0021	Aluminum hand rim 24", anodised - „large diameter“	2	Pc.
3	1204-0009	stainless steel hand rim 20" - "standard"	2	Pc.
	1204-0010	Stainless steel hand rim 22" - „standard“	2	Pc.
	1204-0011	Stainless steel hand rim 24" - „standard“	2	Pc.
4	1204-0022	Stainless steel hand rim 20" - „high“	2	Pc.
	1204-0023	Stainless steel hand rim 22" - „high“	2	Pc.
	1204-0024	Stainless steel hand rim 24" - „high“	2	Pc.

(Handrims 20 "and 22" with 4 mounting points)

(Handrims 24" with 6 mounting points)

Spare parts



Spare parts

Pos	Article number	Articel description	Quantity	Unit	
1-5	1219-0013	Pneumatic wheel 20"x1 „HOGGI light“ with drumbrake, left, w/o push rims	1	PC.	
	1219-0014	Pneumatic wheel 20"x1 „HOGGI light“ with drumbrake, right w/o push rim	1	PC.	
	1219-0015	Pneumatic wheel 22"x1 „HOGGI light“ with drumbrake, left, w/o push rim	1	PC.	
	1219-0016	Pneumatic wheel 22"x1 „HOGGI light“ with drumbrake, right, w/o push rim	1	PC.	
	1219-0017	Pneumatic wheel 24"x1 „HOGGI light“ with drumbrake, left, w/o push rim	1	PC.	
	1219-0018	Pneumatic wheel 24"x1 „HOGGI light“ with drumbrake, right w/o push rim	1	PC.	
	1221-0003	PU-wheel 20"x1 3/8 „HOGGI light“ with drum brake, left, w/o push rim	1	PC.	
	1221-0004	PU-wheel 20"x1 3/8 „HOGGI light“ with drum brake, right, w/o push rim	1	PC.	
	1221-0005	PU-wheel 22"x1 3/8 „HOGGI light“ with drum brake, left, w/o push rim	1	PC.	
	1221-0006	PU-wheel 22"x1 3/8 „HOGGI light“ with drum brake, right, w/o push rim	1	PC.	
	1221-0007	PU wheels 24" with drum brakes, left, w/o push rims	1	PC.	
	1221-0008	PU wheels 24" with drum brakes, right, w/o push rims	1	PC.	
	2	1205-0022	Quick release axle 12 x 108 mm stainless steel	1	PC.
	3	1205-0051	Adapter M16x1 for quick-release-axle 12/57 mm	2	PC.
4	1059-0002	Shim ring 16x22x1,5	2	PC.	
5	1205-0031	Brake plate left with 16 mm hole for RAC and Hoggi light wheels	2	PC.	
	1205-0032	Brake plate right with 16 mm hole for Hoggi light wheels	1	PC.	
6	1052-0016	Spring washer B16	2	PC.	
7	1205-0015	Spacer bushing 25x16.2x15, for 3 and 6°	2	PC.	
8	1205-0016	Spacer bushing 25x16.2x20, for 9°	2	PC.	
9-11	1209-0001	Bowden wire set 1,5m cable	2	PC.	
12	1205-0029	Pinch bolt d8x15 mm, without slot	2	PC.	
13	1205-0030	Brake adjuster M6x30 mm	2	PC.	
14	1205-0048	Brake anchor support plate SBO-VTi	2	PC.	
15	1029-0635	Button head socket screw M6x35, for 9°	2	PC.	
16	1022-0625	Hexagon socket head cap screw M6x25, for 3 and 6°	2	PC.	
17	1042-0006	Hexagon nut self-locking M6	2	PC.	
18	1209-0026	Brake lever 36° manually locking 25 mm (for push-handle)	2	PC.	
	1209-0030	Brake lever 36 ° manually locking 22 mm (for push bar)	2	PC.	
19	1205-0055	Bowden cable guide, angle 90°	2	PC.	
20	1089-0004	Cable tie, black, 5x180	4	PC.	

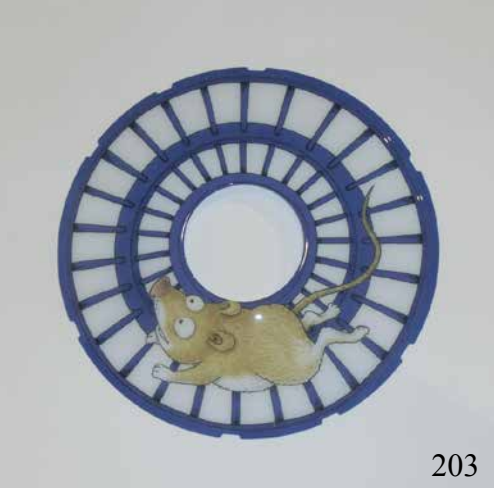
Spare parts



201



202



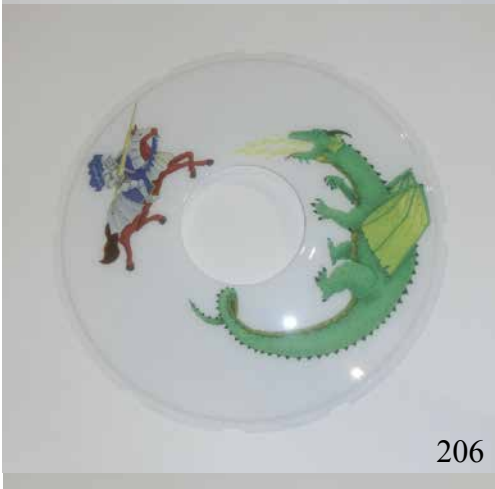
203



204



205



206



207



Transparent

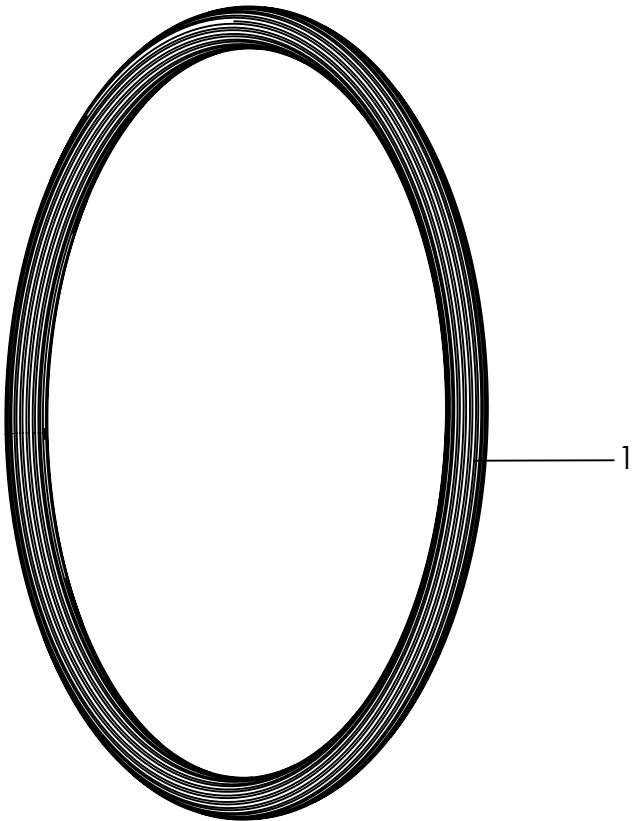
Spare parts

Pos	Artikelnummer	Artikelbezeichnung	Menge	ME	
1-3	1204-1012	Speichenschutz 20", taransparent	1	Set	
	1204-1013	Speichenschutz 22", taransparent	1	Set	
	1204-1014	Speichenschutz 24", taransparent	1	Set	
	1204-1020	Speichenschutz 20", taransparent, Trommelbremse	1	Set	
	1204-1018	Speichenschutz 22", taransparent, Trommelbremse	1	Set	
	1204-1019	Speichenschutz 24", taransparent, Trommelbremse	1	Set	
	1204-1013-xxx	Speichenschutz 22", mit Motiv	1	Set	
	1204-1014-xxx	Speichenschutz 24", mit Motiv	1	Set	
	1204-1018-xxx	Speichenschutz 22", mit Motiv, Trommelbremse	1	Set	
	1204-1019-xxx	Speichenschutz 24", mit Motiv, Trommelbremse	1	Set	
	2	1204-0012	Speichenschutz 20", taransparent	2	St
		1204-0031	Speichenschutz 22", taransparent	2	St
		1204-0032	Speichenschutz 24", taransparent	2	St
1204-0033		Speichenschutz 22", taransparent, Trommelbremse	2	St	
1204-0034		Speichenschutz 24", taransparent, Trommelbremse	2	St	
1204-0031-xxx		Speichenschutz 22", mit Motiv	2	St	
1204-0032-xxx		Speichenschutz 24", mit Motiv	2	St	
1204-0033-xxx		Speichenschutz 22", mit Motiv, Trommelbremse	2	St	
1204-0034-xxx		Speichenschutz 24", mit Motiv, Trommelbremse	2	St	
3	1205-0033	Befestigungsclips für Speichenschutz, transparent	12	St	

xxx durch passende Nr. ersetzen!

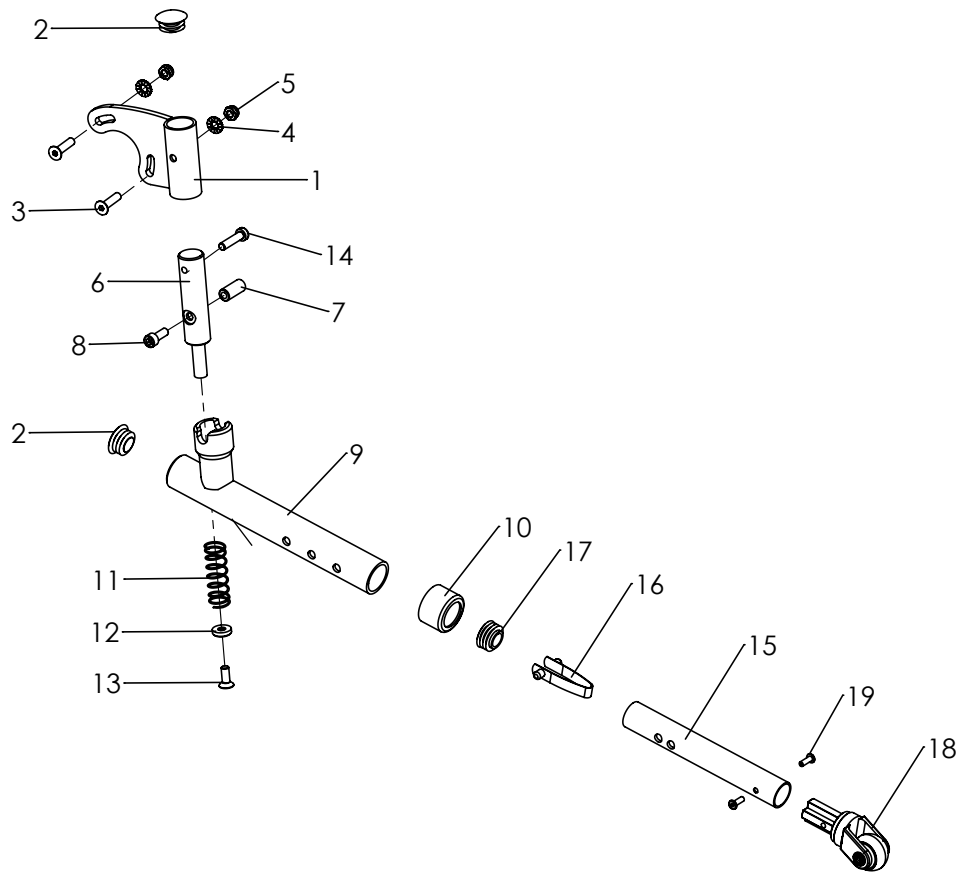
xxx= 201 - Hoggi blau
 202 - Elfenland
 203 - Maus
 204 - Wasserwelt
 205 - Zug
 206 - Drache
 207 - Zirkus

Spare parts



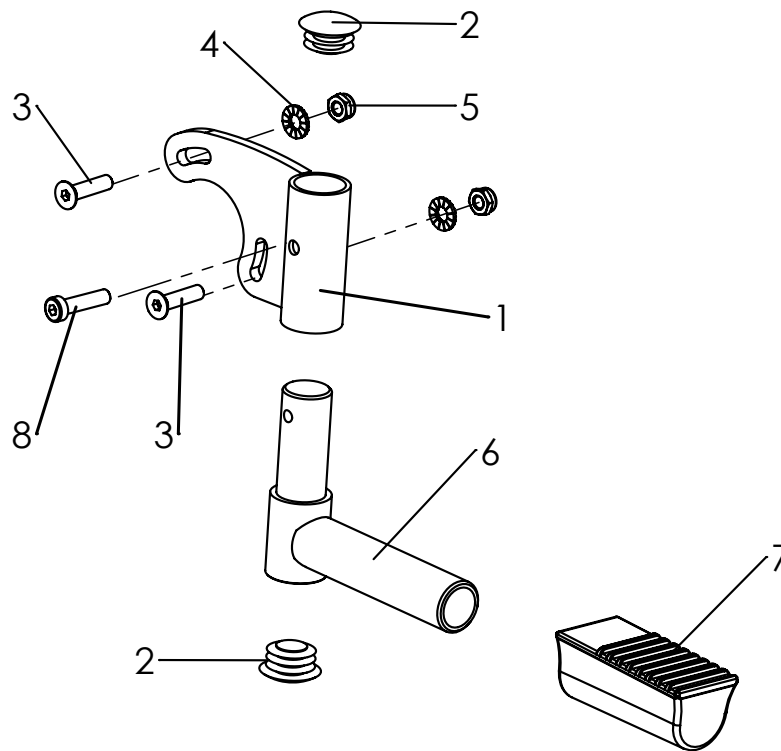
Pos	Article number	Articel description	Quantity	Unit
1	1204-0015	Push-rim cover in silicone, 20", black fluted	1	Pc.
2	1204-0016	Push-rim cover in silicone, 22", black fluted	1	Pc.
3	1204-0017	Push-rim cover in silicone, 24", black fluted	1	Pc.

Spare parts



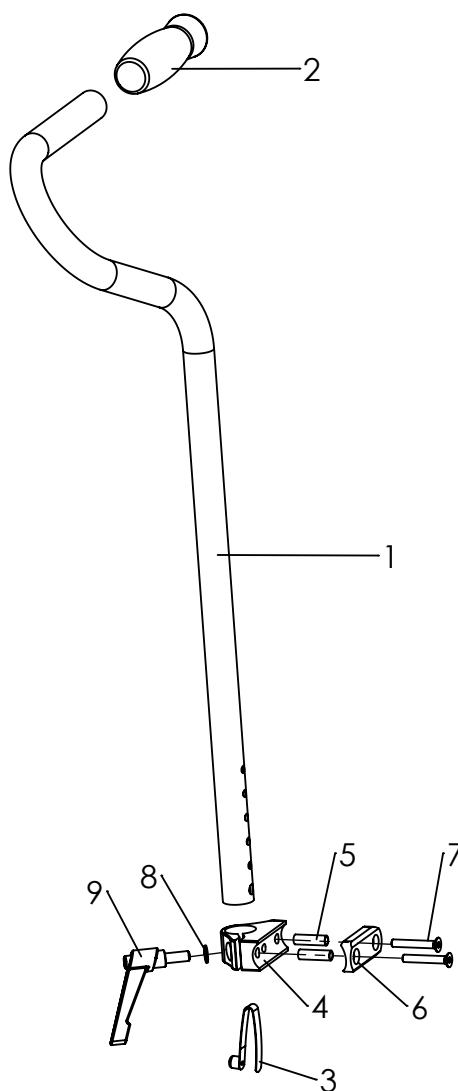
Pos	Article number	Articel description	Quantity	Unit
1-19	3220-1801	Anti tip CESA, swingaway, left	1	Set
	3220-1802	Anti tip CESA, swingaway, right	1	Set
1	3275-1810-015	Anti-tilt mount left	1	Pc.
	3275-1820-015	Anti-tilt mount right	1	Pc.
2	1141-0009	Ribbed insert SFL 25x1-2,5	2	Pc.
3	1024-0625	Hexagon socket countersunk head screw M6x25	2	Pc.
	1022-0630	Hexagon socket head cap screw M6x30 (for drum break)	2	Pc.
	1024-0640	Hexagon socket countersunk head screw M6x40 (for tie down kit)	2	Pc.
	3274-7314	Spacer bushing 20 x 6.2 x 5 (for tie down kit)	2	Pc.
	1022-0645	Hexagon socket head cap screw M6x45 (for tie down kit and Drum break)	2	Pc.
4	1059-0012	Wedge washer 6 mm wide	2	Pc.
5	1042-0006	Hexagon nut self-locking zp DIN/ISO 985 M6	2	Pc.
6	3261-1911	Anti-tip bearing	1	Pc.
7	3240-1840	Resting axle	1	Pc.
8	1022-0616	Hexagon socket head cap screw M6x16	1	Pc.
9	3220-1830-015	Swivel arm tilt protection	1	Pc.
10	3251-1848	Kapp 25x20 with 18 mm press cut	1	Pc.
11	1131-0072	Compression D-190C 1,25x13x27x5,5	1	Pc.
12	3261-1912	Thrust bearing	1	Pc.
13	1024-0616	Hexagon socket countersunk head screw M6x16	1	Pc.
14	1022-0625	Hexagon socket head cap screw M6x25	1	Pc.
15-19	3220-1850E	Tilt tube complete	1	Pc.
15	3220-1551-007	Tilt tube	1	Pc.
16	1134-0008	Snap button D-131	1	Pc.
17	1141-0008	Ribbed insert SFL 23x0,8-3,0	1	Pc.
18	1249-0007	Insertion fork and castor	1	Pc.
19	1062-0408	Blind rivet F4x8	1	Pc.

Spare parts



Pos	Article number	Articel description	Quantity	Unit
1-8	3275-1803	Tip assist, left	1	Set
	3275-1804	Tip assist, right	1	Set
1	3275-1810-015	Anti-tip support, left, black	1	Pc.
	3275-1820-015	Anti-tip support, right, black	1	Pc.
2	1141-0009	Ribbed insert SFL 25x1-2,5	2	Pc.
3	1024-0625	Hexagon socket countersunk head screw M6x25	2	Pc.
4	1059-0012	Wedge washer 6 mm wide	2	Pc.
5	1042-0006	Hexagon nut self-locking zp DIN/ISO 985 M6	2	Pc.
6	3261-1960-015	Tip assist	1	Pc.
7	7000-0068	Pedal D22 72x33 mm	1	Pc.
8	1022-0625	Hexagon socket head cap screw M6x25	1	Pc.

Spare parts



Pos	Article number	Articel description	Quantity	Unit
1-9	3275-5501	CLEO One-hand push bar with S-shaped handle	1	Set
1	3251-5561-006	Push bar S form	1	Pc.
2	1143-0005	Handle grip black d25 x 120	1	Pc.
3	1134-0006	Snap button	1	Pc.
4	3275-5511-007	Clamping block, black	1	Pc.
5	1114-0025	Bushing zp 8x0,8x27	2	Pc.
6	3275-5512-007	Doucine 25x42x6,2 black	1	Pc.
7	1024-0640	Hexagon socket countersunk head screw M6x40	2	Pc.
8	1059-0011	Shim ring 8x14x1,2	1	Pc.
9	1121-0820	Locking lever PA black M8x20	1	Pc.

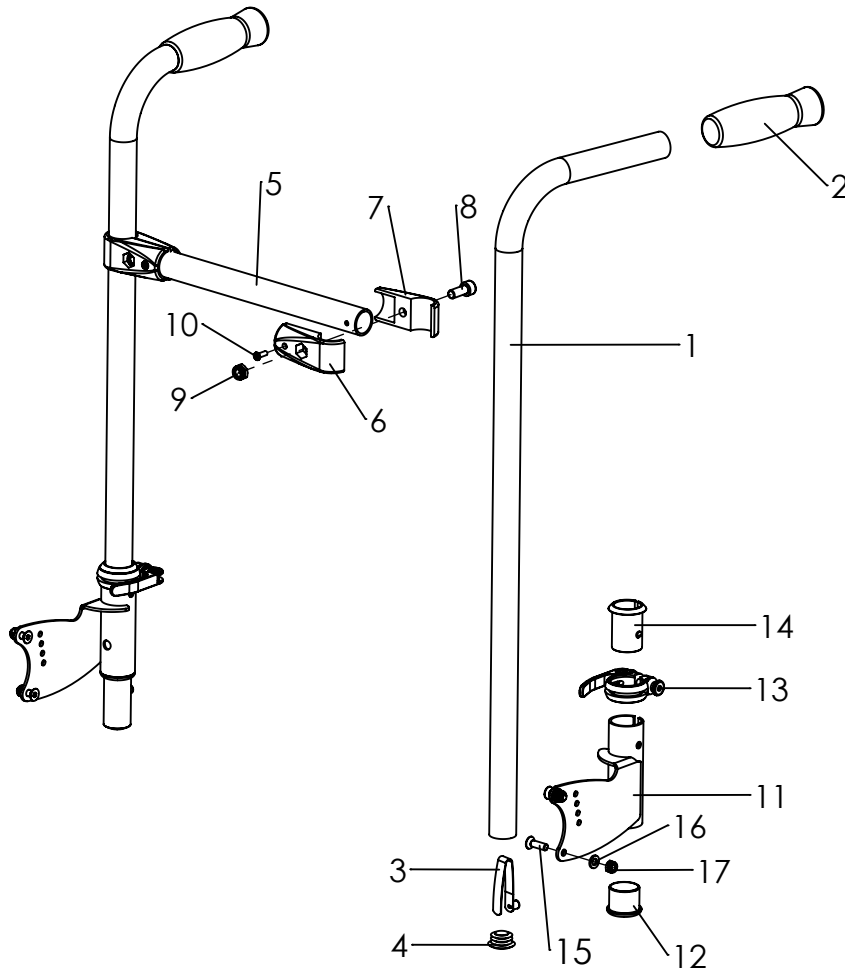
Spare parts

Pos	Article number	Articel description	Quantity	Unit
1-23	3275-52SW-015	Push bar	1	Pc.
1-5	3240-5550E	Push-bar, upper part, size 1, for SW 24 to SW 30	1	Pc.
	3240-5560E	Push-bar, upper part, size 2, for SW 32 to SW 36	1	Pc.
	3240-5570E	Push-bar, upper part, size 3, for SW 38 to SW 44	1	Pc.
1	3240-5552-015	Push bar upper part size 1	1	Pc.
	3240-5562-015	Push bar upper part size 2	1	Pc.
	3240-5572-015	Push bar upper part size 3	1	Pc.
2	1143-0001	Handle gri black	2	Pc.
3	1062-0508	Blind rivet F5x8	8	Pc.
4	1129-0001	Ratchet joint 22x22	2	Pair
5	3240-5554	Coupling binder	2	Pc.
6-10	3245-3113E-007	Push bar bottom part, anodised, black, complete	2	Pc.
6	1021-0625	Hexagon socket head cap screw M6x25	2	Pc.
7	3240-5553-007	Clamping ring, anodised	2	Pc.
8	3245-3113	Push bar bottom part	2	Pc.
9	1134-0006	Snap button B 141	2	Pc.
10	1141-0009	Ribbed insert SFL 25x1-2,5	2	Pc.
11	3275-51SW-015	Cross tube	1	Pc.
12	1145-0001-015	Tube connector T-90° 25/25 with bore 4,2, structural black	2	Pc.
13	1062-0412	Blind rivet F4x12	2	Pc.
14	1042-0008	Hexagon nut self-locking M8	2	Pc.
15	1145-0002-015	Tube connector T-90° 25/25 4,2 structural black	2	Pc.
16	1021-0820	Hexagon socket head cap screw M8x20	2	Pc.
17-23	3275-5160E	Handle bracket left, complete	1	Pc.
	3275-5180E	Handle bracket right, complete	1	Pc.
17	3275-5160-015	Handle bracket left	1	Pc.
	3275-5180-015	Handle bracket right	1	Pc.
18	1129-0007	Saddle clamp with quick-release D 31,8	2	Pc.
19	3301-1240	Clamp bushing	2	Pc.
20	3301-1530	Flange bushing	2	Pc.
21	1024-0620	Hexagon socket countersunk head screw M6x20	4	Pc.
22	1051-0006	Washer A6,4	4	Pc.
23	1042-0006	Hexagon nut self-locking M6	4	Pc.

Pos. 16

Tighten screw with max. 15 nm.

Spare parts

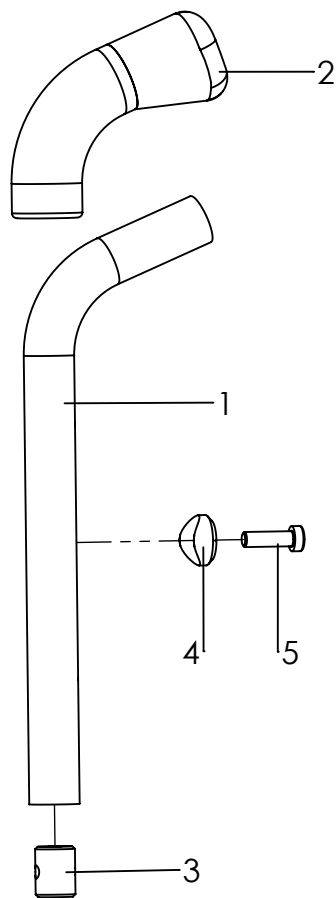


Pos	Article number	Article description	Quantity	Unit
1-17	3275-53SW	Push handle , complete	1	Pc.
1-4	3275-5310E	Push bar CLEO, CESA, with fasteners	2	Pc.
1	3002-5231	Push handle tube	2	Pc.
2	1143-0005	Handle grip black d25 x 120	2	Pc.
3	1134-0006	Snap button B 141	2	Pc.
4	1141-0009	ribbed insert SFL 25x1-2,5	2	Pc.
5-10	3275-51SWE-015	Cross tube complete , structural black	1	Pc.
5	3275-51SB-015	Cross tube	1	Pc.
6	1145-0001	Tube connector T-90° with hole	2	Pc.
7	1145-0002	Tube connector T-90°	2	Pc.
8	1021-0820	Hexagon socket head cap screw M8x20	2	Pc.
9	1042-0008	Hexagon nut self-locking M8	2	Pc.
10	1062-0412	Blind rivet F4x12	2	Pc.
11-17	3275-5160E	Handle bracket left, complete	1	Pc.
	3275-5180E	Handle bracket right, complete	1	Pc.
11	3275-5160-015	Handle bracket left	1	Pc.
	3275-5180-015	Handle bracket right	1	Pc.
12	3301-1530	Flange bushing	2	Pc.
13	1129-0007	Saddle clamp with quick-release D 31,8 left	2	Pc.
14	3301-1240	Clamp bushing	2	Pc.
15	1024-0620	Hexagon socket countersunk head screw M6x20	4	Pc.
16	1051-0006	Washer A6,4	4	Pc.
17	1042-0006	Hexagon nut self-locking M6	4	Pc.

Pos. 8

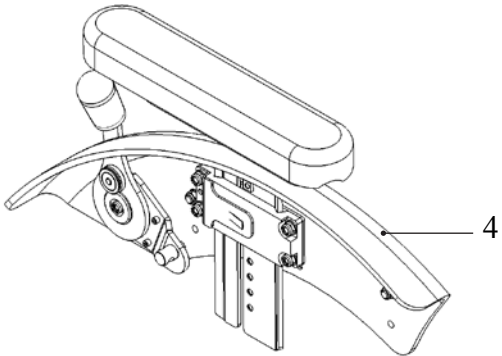
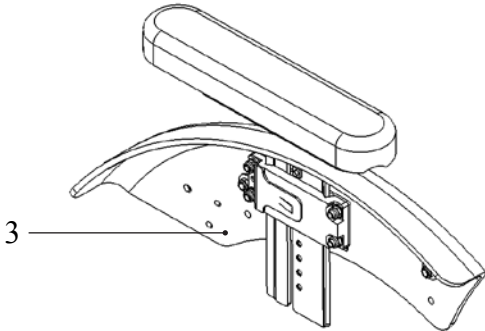
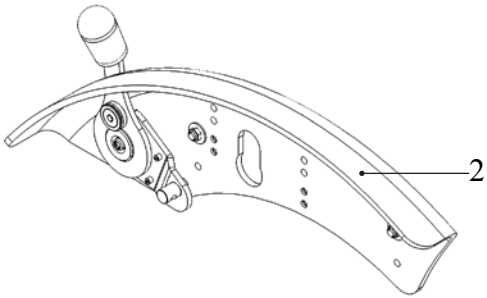
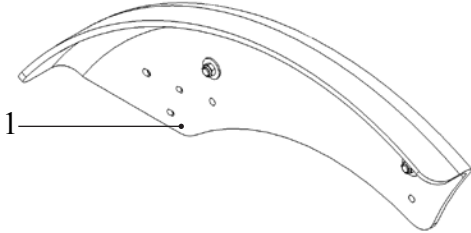
Tighten screw with max. 15 nm.

Spare parts



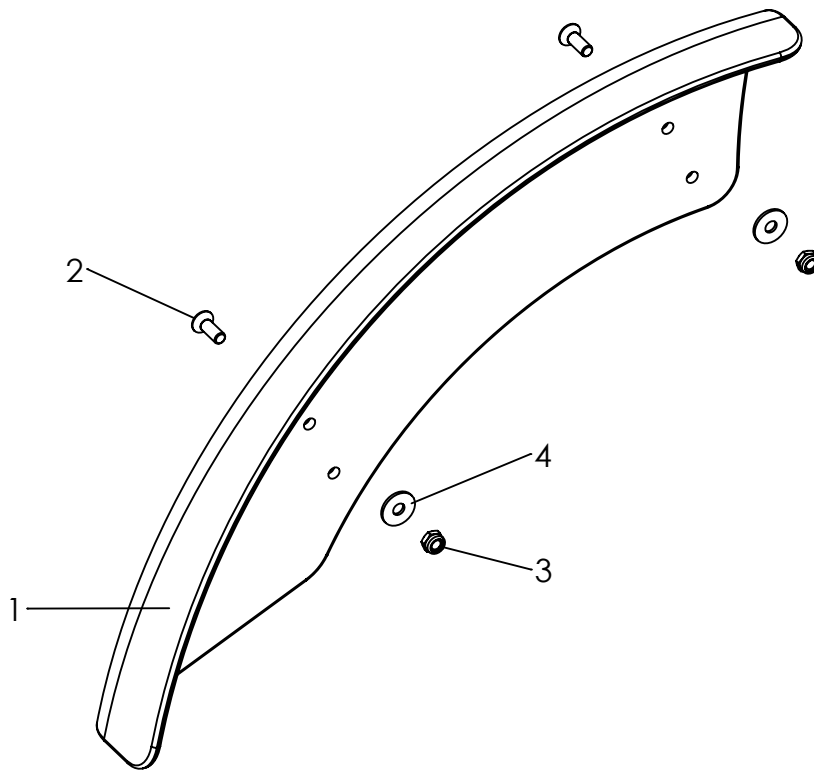
Pos	Article number	Article description	Quantity	Unit
1-5	3261-5102	Standart Single push handles, for back rest height adjustment of 10 cm	1	Set
1+2	3251-5140	Standart Single push handles with grip handle	2	Pc.
2	1143-0009	Handle grip black curved d20	2	Pc.
3	3251-2162-008	Clamping block	2	Pc.
4	3251-2163	Saddle washer 20x6,2x5	2	Pc.
5	1022-0620	Hexagon socket head cap screw M6x20	2	Pc.

Spare parts



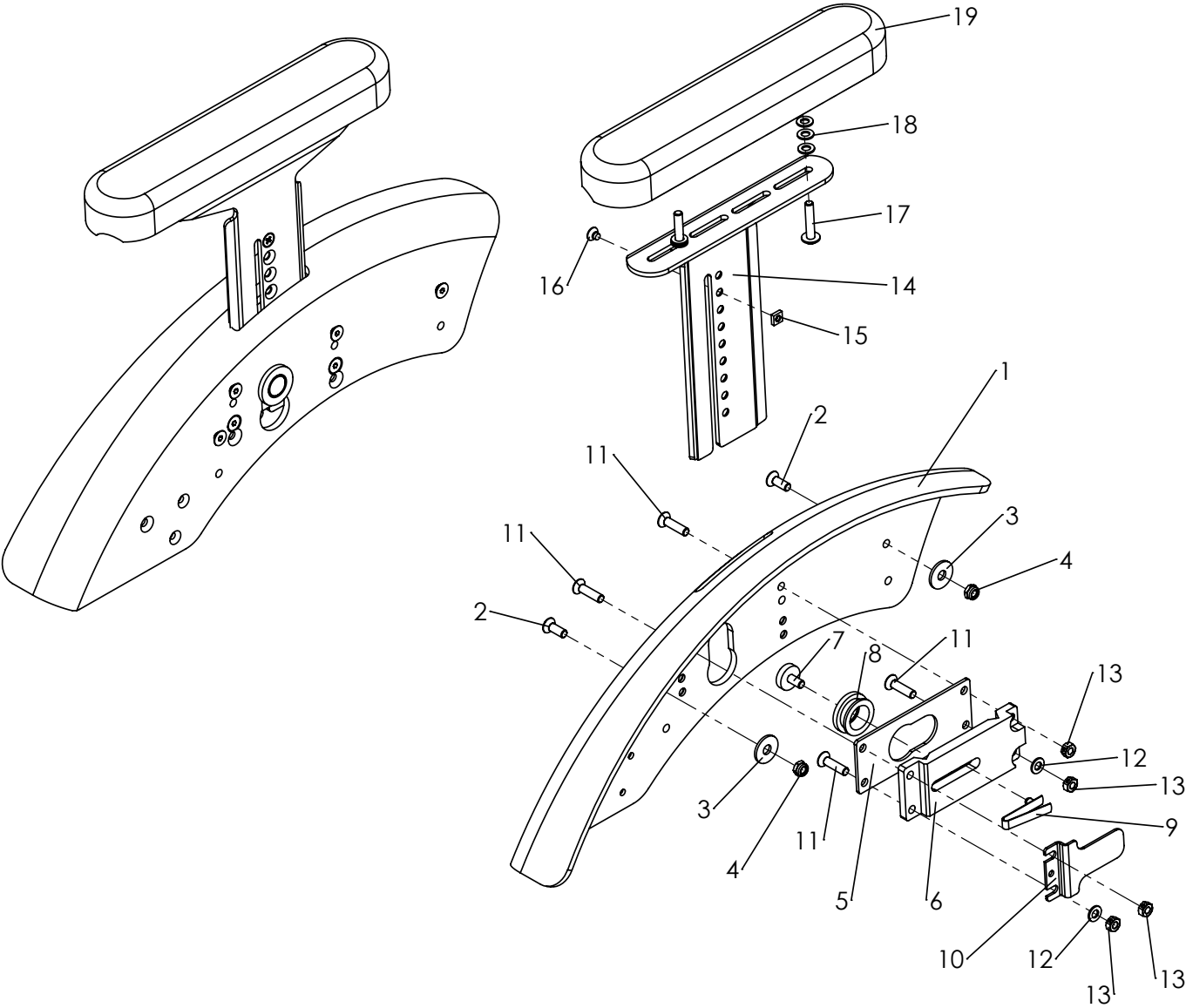
Pos	Article number	Articel description	Page
1	3275-160X	Wheel guards	
2	3275-169X	Wheel guards, with integrated wheel lock levers	
3	3276-160X	Wheel guards, with height adj. and detachable arm rests	
4	3276-169X	wheel guards, with integrated brake system, and height adj. and detachable Armrest	

Spare parts



Pos	Article number	Article description	Quantity	Unit
1-4	3275-1600	Wheel guards 20"	1	Pair
	3275-1602	Wheel guards 22"	1	Pair
	3275-1603	wheel guards 22", wide for 3° camber	1	Pair
	3275-1604	Wheel guards 24"	1	Pair
	3275-1605	wheel guards 24", wide for 3° camber	1	Pair
	3248-1612	Wheel cover left 20"	1	Pc.
	3248-1622	Wheel cover right 20"	1	Pc.
	3248-1632	Wheel cover left 22"	1	Pc.
	3248-1634	wheel cover left 22", wide	1	Pc.
	3248-1642	Wheel cover right 22"	1	Pc.
	3248-1644	wheel cover right 22", wide	1	Pc.
	3248-1652	Wheel cover left 24"	1	Pc.
	3248-1654	wheel cover left 24", wide	1	Pc.
	3248-1662	Wheel cover right 24"	1	Pc.
	3248-1664	wheel cover right 24", wide	1	Pc.
2	1024-0514	Hexagon socket countersunk head screw M5x14	4	Pc.
3	1042-0005	Hexagon nut self-locking M5	4	Pc.
4	1055-0005	Washer A5,3	4	Pc.

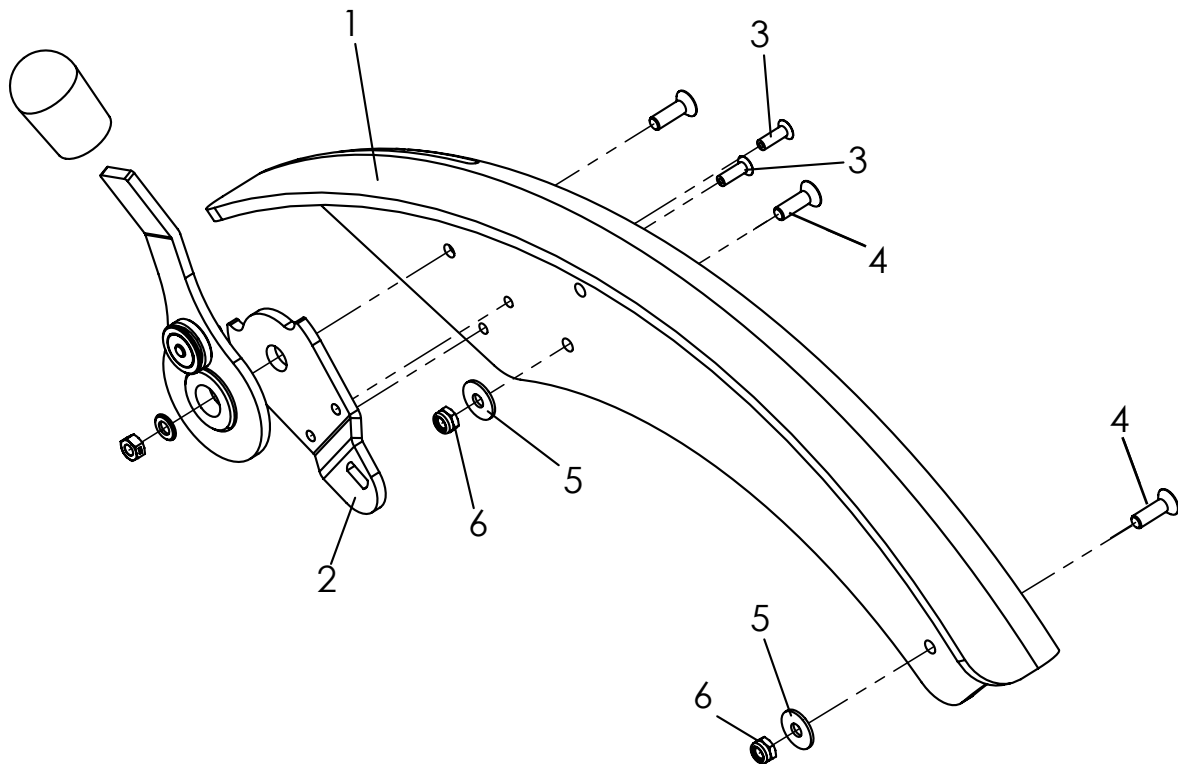
Spare parts



Spare parts

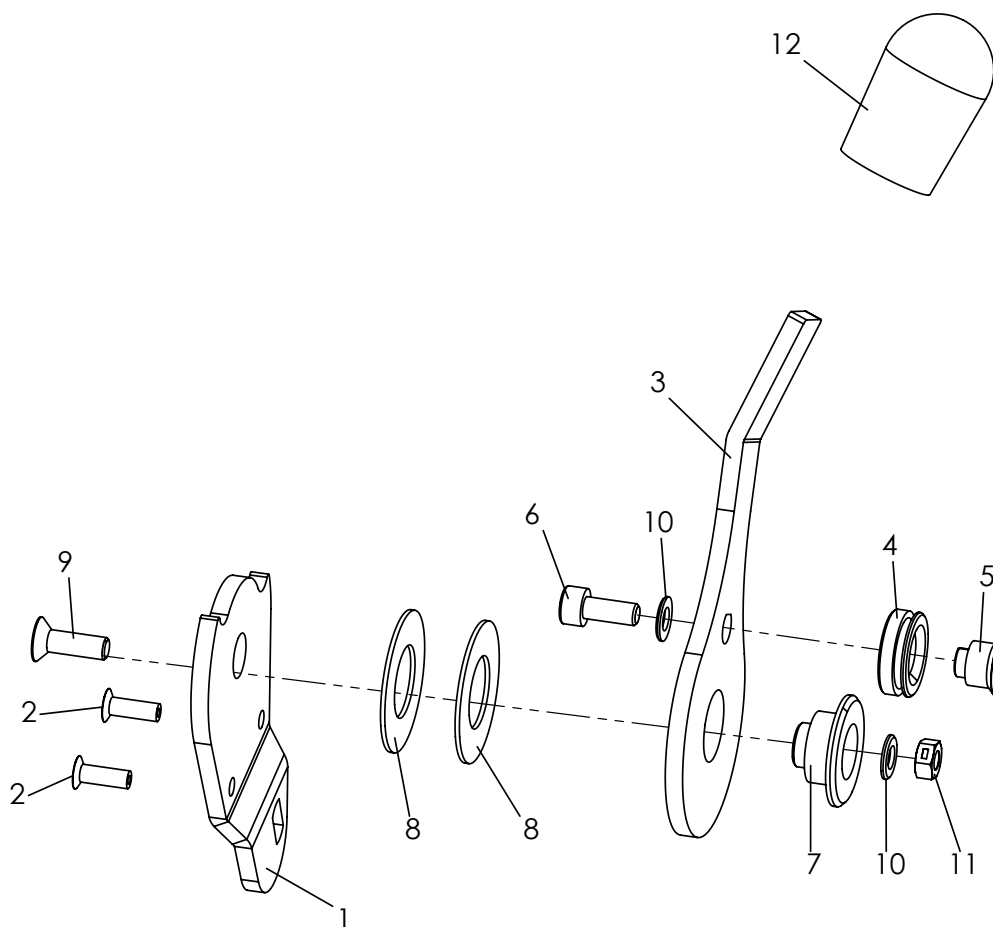
Pos	Article number	Articel description	Quantity	Unit
1-19	3276-1600	Wheel guards 20" with height adj. and detachable arm rests	1	Pc.
	3276-1602	Wheel guards 22" with height adj. and detachable arm rests	1	Pc.
	3276-1604	Wheel guards 24" with height adj. and detachable arm rests	1	Pc.
1	3275-1612	Wheel guards 20" left with height adj. and detachable arm rests	1	Pc.
	3275-1622	Wheel guards 20" right with height adj. and detachable arm rests	1	Pc.
	3275-1632	Wheel cover 22 "left for CLEO armrest	1	Pc.
	3275-1634	Wheel cover wide 22 " left for armrest	1	Pc.
	3275-1642	Wheel cover 22 " right for CLEO armrest	1	Pc.
	3275-1644	Wheel cover wide 22 " right for armrest	1	Pc.
	3275-1652	Wheel cover 24 "left for CLEO armrest	1	Pc.
	3275-1654	Wheel cover wide 24 " left for armrest	1	Pc.
	3275-1662	Wheel cover 24 " right for CLEO armrest	1	Pc.
	3275-1664	Wheel cover wide 24 " right for armrest	1	Pc.
2	1024-0514	Hexagon socket countersunk head screw M5x14	4	Pc.
3	1055-0006	Washer zp A6,4	4	Pc.
4	1042-0005	Hexagon nut self-locking M5	4	Pc.
5-18	3275-6201E	Armrest left complete, without armrest pads	1	Pc.
	3275-6202E	Armrest right complete, without armrest pads	1	Pc.
5	3261-6235	Intermediate plate	1	Pc.
6	3261-6231	Arm rest holder cover	1	Pc.
7	3261-6234	Button	1	Pc.
8	3275-6232	Guide bush	1	Pc.
9	1134-0005	Snap button A 102	1	Pc.
10	3261-6233	Spring cover	1	Pc.
11	1024-0520	Hexagon socket countersunk head screw M5x20	4	Pc.
12	1051-0005	Washer A5,3	2	Pc.
13	1049-0066	BILOC-nut M5	2	Pc.
5-13	3275-6230	Arm rest holder	2	Pc.
14-18	3275-6111E-015	Armrest carrier CLEO, left, black, with fasteners	1	Pc.
	3275-6112E-015	Armrest carrier CLEO, right, black, with fasteners	1	Pc.
14	3275-6111	Armrest carrier, left	1	Pc.
	3275-6112	Armrest carrier, right	1	Pc.
15	1049-0071	Square nut M4	1	Pc.
16	1023-0405	Countersunk flat head screw M4x5	1	Pc.
17	1030-0514	Button head socket screw with flange M5x14	1	Pc.
18	1051-0006	Washer A6,4	6	Pc.
19	7000-0024	Armrest pads PU 235mm	1	Pc.
	7000-0047	Armrest pads PU 270mm	1	Pc.

Spare parts



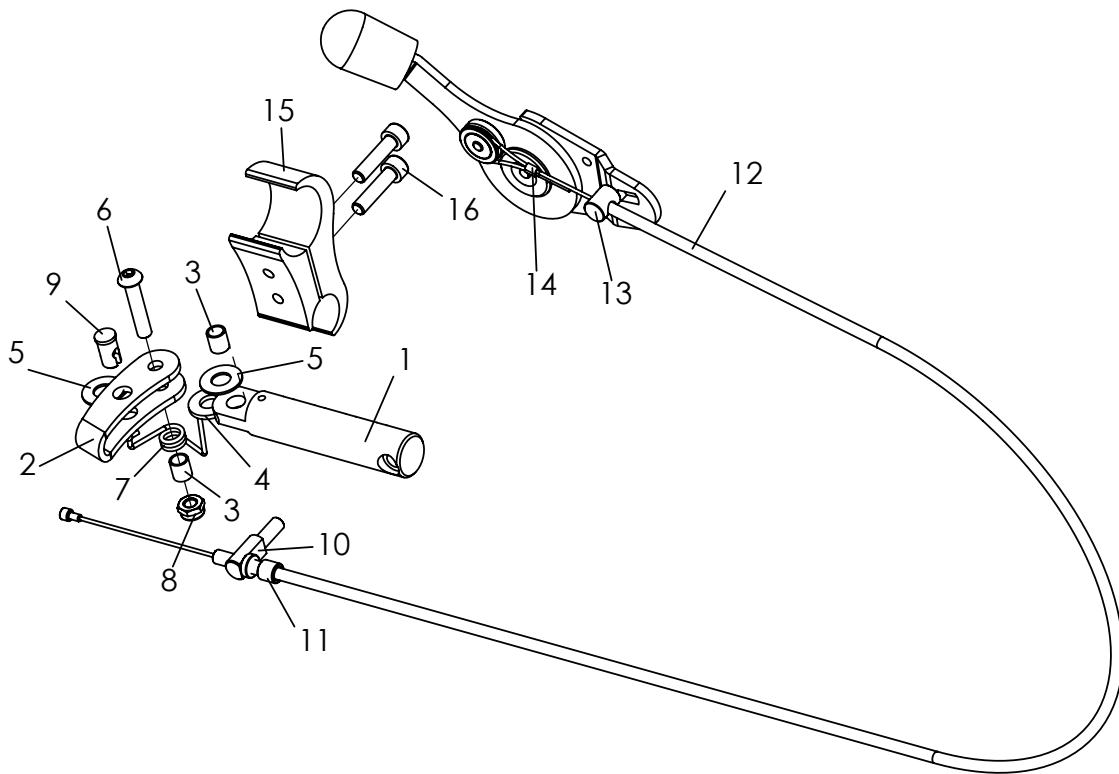
Pos	Article number	leArticle description	Quantity	Unit
1-6	3275-1690	Wheel guards for integrated break 20"	1	Pair
	3275-1692	Wheel guards for integrated break 22"	1	Pair
	3275-1693	Wheel guards 22" with integrated wheel lock levers, wide for 3° camber	1	Pair
	3275-1694	Wheel guards for integrated break 24"	1	Pair
	3275-1695	Wheel guards 24" with integrated wheel lock levers, wide for 3° camber	1	Pair
1-3	3248-1611E	Wheel cover for integrated 20" left	1	Pc.
	3248-1621E	Wheel cover for integrated 20" right	1	Pc.
	3248-1631E	Wheel cover for integrated 22" left	1	Pc.
	3248-1633E	Fender wide left 22"	1	Pc.
	3248-1641E	Wheel cover for integrated 22" right	1	Pc.
	3248-1643E	Fender wide right 22"	1	Pc.
	3248-1651E	Wheel cover for integrated 24" left	1	Pc.
	3248-1653E	Fender wide left 24"	1	Pc.
	3248-1661E	Wheel cover for integrated 24" right	1	Pc.
3248-1663E	Fender wide right 24"	1	Pc.	
4	1024-0514	Hexagon socket countersunk head screw M5x14	2	Pc.
5	1055-0005	Washer A5,3	2	Pc.
6	1042-0005	Hexagon nut self-locking M5	2	Pc.
	3240-1740E	Break lever left	2	Pc.
	3240-1750E	Break lever right	2	Pc.
	3240-1710E	Break left	2	Pc.
	3240-1720E	Break right	2	Pc.
	1209-0035	Break kable complete	2	Pc.
	3251-1730E	Clamp 30-19, black, with screws	2	Pc.

Spare parts



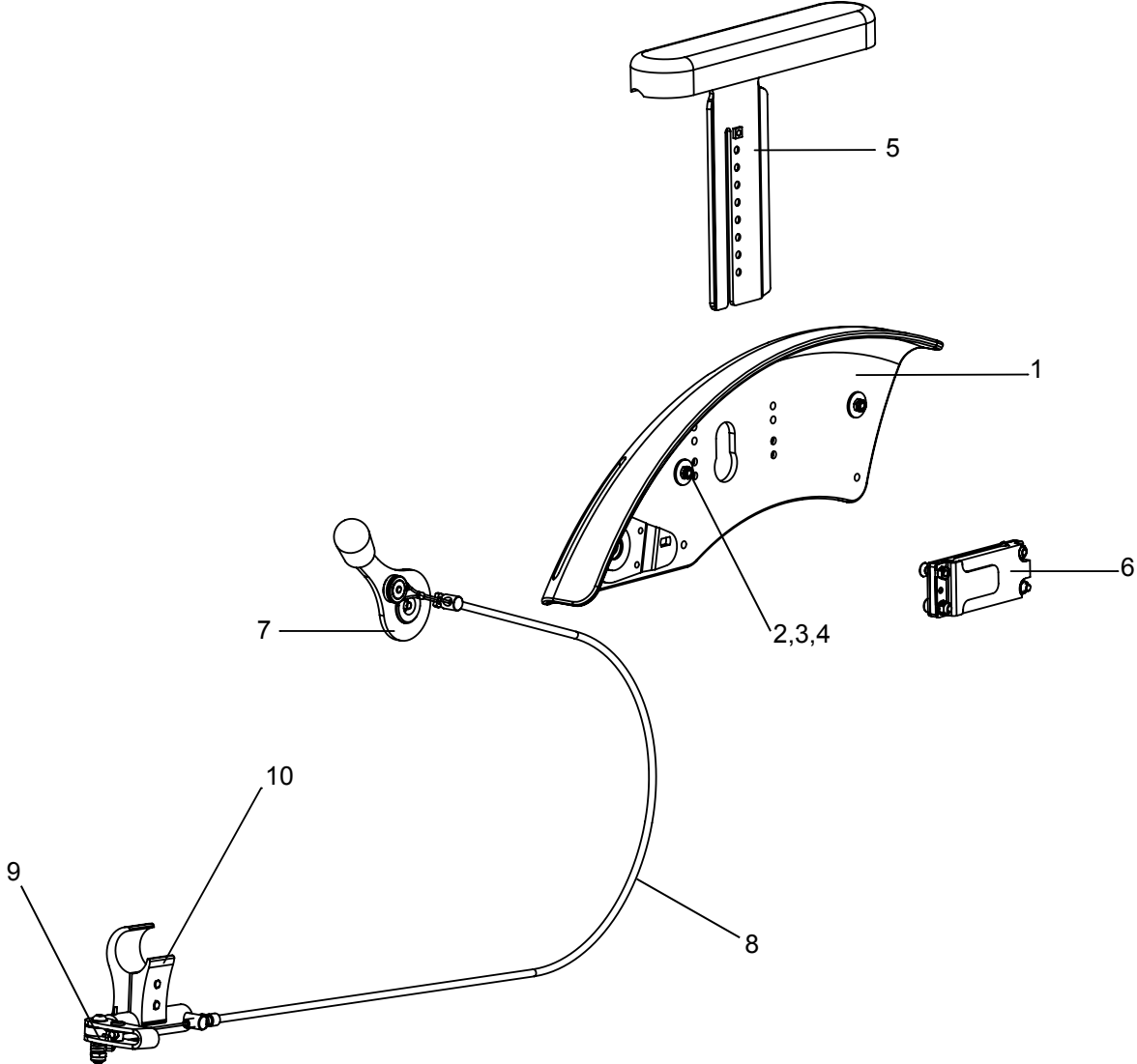
Pos	Article number	Articel description	Quantity	Unit
1-12	3240-1740E	Break lock lever, left, displayed	1	Pc.
	3240-1750E	Break lock lever, right	1	Pc.
1	3251-1741	Base plate brake lock lever, left	1	Pc.
	3251-1751	Base plate brake lock lever, right	1	Pc.
2	1063-0412	Blind rivet S4x12	2	Pc.
3	3240-1742-015	Brake lock lever, FS black	1	Pc.
4	3240-1747	Cable roll	1	Pc.
5	3240-1745	Cable support	1	Pc.
6	1021-0512	Cylinder head screw M5x12	1	Pc.
7	3240-1743	Lever bearing	1	Pc.
8	1113-0048	Washer PA natural 16,5x32x1	2	Pc.
9	1024-0516	Hexagon socket countersunk head screw M5x16	1	Pc.
10	1051-0005	Washer A5,3	2	Pc.
11	1049-0066	BILOC-nut M5	1	Pc.
12	1209-0014	Handle black	1	Pc.

Spare parts



Pos	Article number	Article description	Quantity	Unit
1-9	3240-1710E	Brake, left, complete	1	Pc.
	3240-1720E	Brake, right, complete	1	Pc.
1	3240-1711-006	Brake lever bracket	1	Pc.
2	3240-1712-006	Brake lock lever	1	Pc.
3	1114-0055	Bushing 8x0,8x8,7	2	Pc.
4	1113-0035	Washer PA 18x8,4x2 black	1	Pc.
5	1113-0003	Washer PA 18x8,4x1 black	2	Pc.
6	1029-0630	Button head socket screw M6x30	1	Pc.
7	3240-1761	Retaining spring, left	1	Pc.
	3240-1762	Retaining spring, right	1	Pc.
8	1042-0006	Hexagon nut self-locking M6	1	Pc.
9	1099-0014	Ball end cable holder 9/8x15,5 mm hole-4mm	1	Pc.
10-14	1209-0035E	Brake cable	2	Pc.
15-16	3251-1730E-007	Clamp with screw's	1	Set

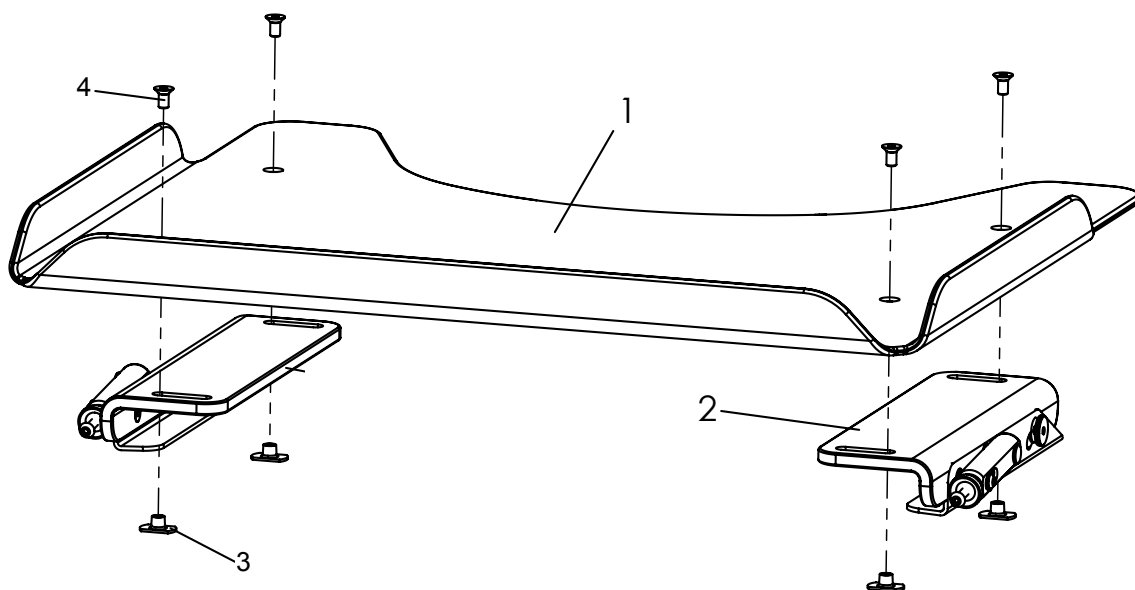
Spare parts



Spare parts

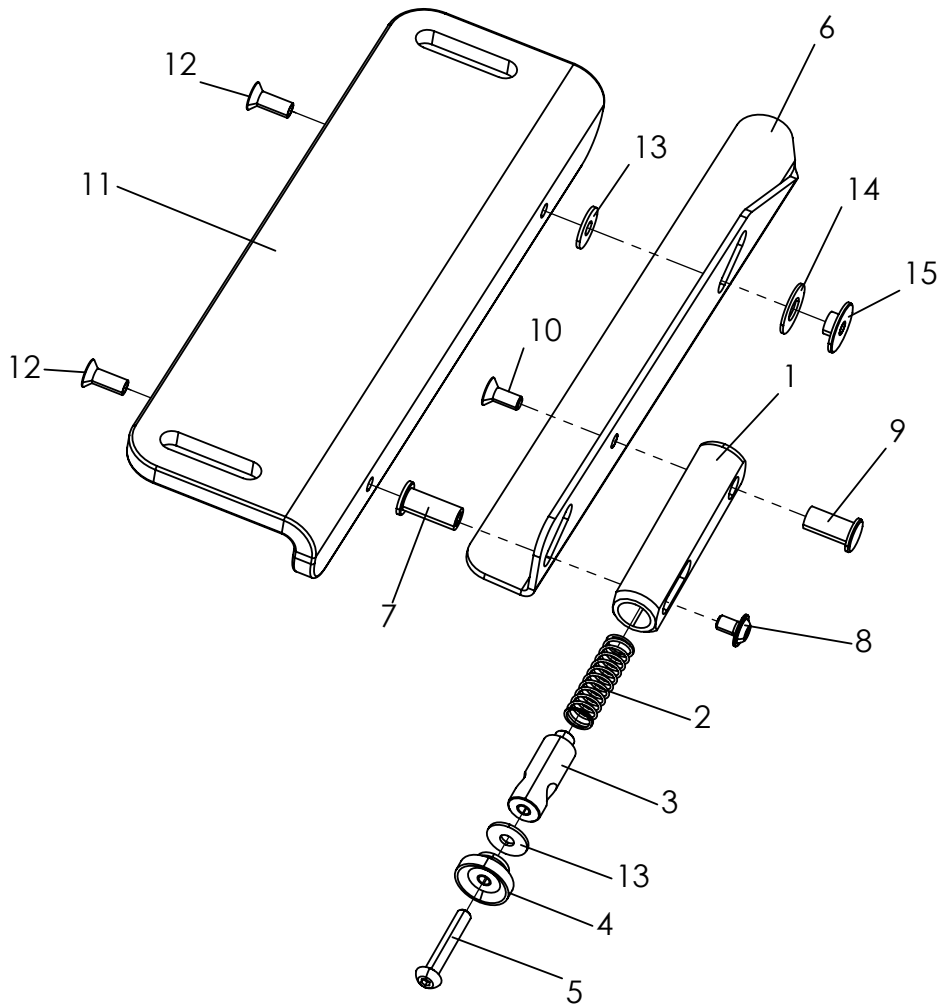
Pos	Article number	Article description	Quantity	Unit
1-4*	3276-1690	Wheel guards 20" with integrated brake system, with height adjustable and detachable Amrest	1	Pair
	3276-1692	Wheel guards 22" with integrated brake system, with height adjustable and detachable Amrest	1	Pair
	3276-1692	Wheel guards 22" with integrated brake system, with height adjustable and detachable Amrest, wide for 3° camber	1	Pair
	3276-1694	Wheel guards 24" with integrated brake system, with height adjustable and detachable Amrest	1	Pair
	3276-1695	Wheel guards 24" with integrated brake system, with height adjustable and detachable Amrest, wide for 3° camber	1	Pair
1	3275-1611E	Wheel guard 20", left, for integrated brake system, height adjustable and detachable Armrest	1	Pc.
	3275-1621E	Wheel guard 20", right, for integrated brake system, height adjustable and detachable Armrest	1	Pc.
	3275-1631E	Wheel guard 22", left, for integrated brake system, height adjustable and detachable Armrest	1	Pc.
	3275-1641E	Wheel guard 22", right, for integrated brake system, height adjustable and detachable Armrest	1	Pc.
	3275-1651E	Wheel guard 24", left, for integrated brake system, height adjustable and detachable Armrest	1	Pc.
	3275-1661E	Wheel guard 24", right, for integrated brake system, height adjustable and detachable Armrest	1	Pc.
	3275-1633E	Wheel guard (wide for 3° camber) 22", left, for integrated brake system, height adjustable and detachable Armrest	1	Pc.
	3275-1643E	Wheel guard (wide for 3° camber) 22", right, for integrated brake system, height adjustable and detachable Armrest	1	Pc.
	3275-1653E	Wheel guard (wide for 3° camber) 24", left, for integrated brake system, height adjustable and detachable Armrest	1	Pc.
	3275-1663E	Wheel guard (wide for 3° camber) 24", right, for integrated brake system, height adjustable and detachable Armrest	1	Pc.
2	1026-0516	Hexagon socket countersunk head screw M5x14	4	Pc.
3	1055-0005	Washer A5,3	4	Pc.
4	1042-0005	Hexagon nut self-locking M5	4	Pc.
5-6	3275-6201E	Armrest left complete, without armrest pads	1	Pc.
	3275-6202E	Armrest right complete, without armrest pads	1	Pc.
7	3240-1740E	Break lock lever, left, displayed	1	Pc.
	3240-1750E	Break lock lever, right	1	Pc.
8	1209-0035	Brake cable SWINGBO	2	Pc.
9	3240-1710E	Brake, left, complete	1	Pc.
	3240-1720E	Brake, right, complete	1	Pc.
10	3251-1730E	Clamp with screw's	2	Pc.

Spare parts

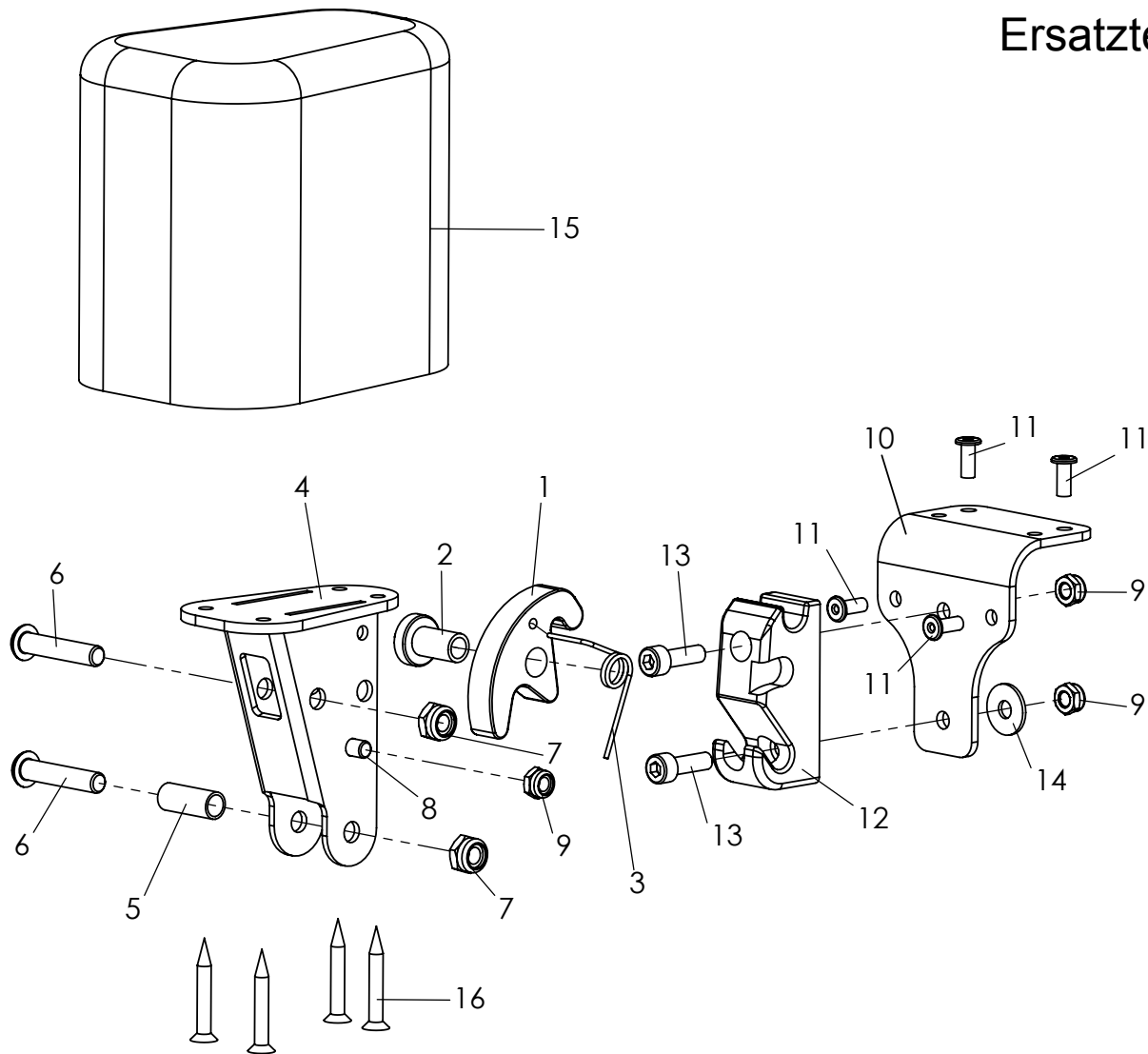


Pos	Article number	Article description	Quantity	Unit
1-5	3240-8202	Therapy tray size 2, SW 24-28	1	Pc.
	3240-8203	Therapy tray size 3, SW 28-32	1	Pc.
	3240-8204	Therapy tray size 4, SW 34-38	1	Pc.
	3240-8204	Therapietisch Gr. 5, SB 40-44	1	Pc.
1	3240-8292	Table board SW 24-28	1	Pc.
	3240-8293	Table board SW 30-34	1	Pc.
	3240-8294	Table board SW 36-40	1	Pc.
	3240-8295	Table board SW 42-44	1	Pc.
2-4	3240-8210E	Clamping unit, left	1	Pc.
	3240-8220E	Clamping unit, right	1	Pc.
3	1049-0052	T-nut 22x14xM6x8,5	4	Pc.
4	1024-0612	Hexagon socket countersunk head screw M6x12	4	Pc.

Spare parts

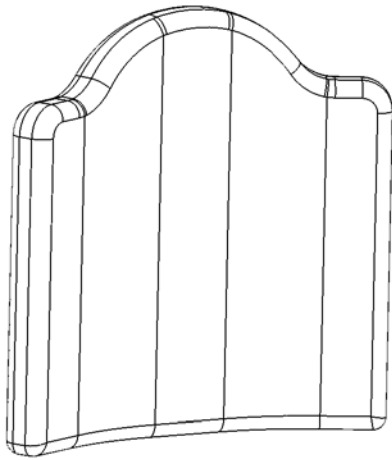


Pos	Article number	Articel description	Quantity	Unit
1-14	3240-8210E	Clamping unit, left	1	Pc.
	3240-8220E	Clamping unit, right	1	Pc.
1	3240-8214	Spring housing	1	Pc.
2	1131-0043	Compression spring D-143F	1	Pc.
3	3240-8215	Spring guide	1	Pc.
4	1124-0500	Knurled nut PA black M5	1	Pc.
4	1124-0500	Knurled nut PA black M5	1	Pc.
5	1029-0530	button head socket screw M5x30	1	Pc.
6	3240-8212-015	Terminal strip, left	1	Pc.
	3240-8222-015	Terminal strip, right	1	Pc.
7	3240-8217	Bearing bush	1	Pc.
8	1030-0508	Button head socket screw with flange M5x8	1	Pc.
9	3240-8216	Bearing bush	1	Pc.
10	1024-0512	Hexagon socket countersunk head screw M5x12	1	Pc.
11	3240-8211	Adjusting bracket	1	Pc.
12	1024-0514	Hexagon socket countersunk head screw M5x14	2	Pc.
13	1055-0005	Washer A5,3	2	Pc.
14	1113-0003	Washer PA 18x8,4x1 black	1	Pc.
15	3240-8218	Bearing bush	1	Pc.

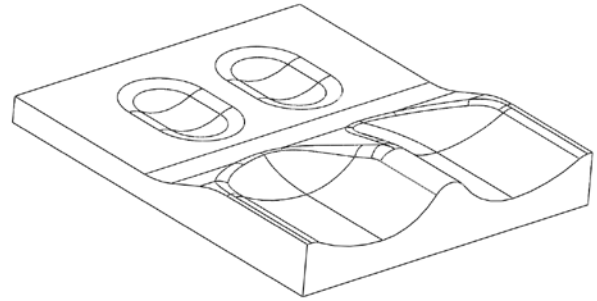


Pos	Article number	Articel description	Quantity	Unit
1-16	3231-7800	Abduction block size 1 swing&detachable, without cover	1	Pc.
	3231-7900	Abduction block size 2 swing&detachable, without cover	1	Pc.
	3233-7800	Abduction block size 3 swing&detachable, without cover	1	Pc.
1	3231-7841	Arresting clamp	1	Pc.
2	3231-7842	Bearing arresting clamp	1	Pc.
3	1133-0020	Leg spring 1,25 x 9,25 x 2,25	1	Pc.
4	3231-7820-032	A-wedge support	1	Pc.
5	1114-0013	Bushing zp 8x0,8x20	1	Pc.
6	1029-0630	Button head socket screw M6x30	2	Pc.
7	1042-0006	Hexagon nut self-locking 985 M6	2	Pc.
8	1021-0508	Cylinder head screw M5x8	1	Pc.
9	1042-0005	Hexagon nut self-locking M5	3	Pc.
10	3231-7831-032	Base plate abduction block receiver	1	Pc.
11	1062-0410	Blind rivet F4x10	4	Pc.
12	3231-7832	Arresting part for A-wedge	1	Pc.
13	1021-0516	Hexagon socket head cap screw M5x16	2	Pc.
14	1055-0005	Washer A5,3	1	Pc.
15	3201-7810E	Wood wedge size 1 with PU-foam	1	Pc.
	3201-7910E	Wood wedge size 1 with PU-foam	1	Pc.
	3203-7810E	Wood wedge size 1 with PU-foam	1	Pc.
16	1028-0430	Pressboard screw countersunk head 4x30	4	Pc.
	3201-7840-323	Cover for abduction block size 1 iron grey	1	Pc.
	3201-7940-323	Cover abduction block size 2 iron grey	1	Pc.
	3203-7840-323	Cover for abduction block size 3 iron grey	1	Pc.

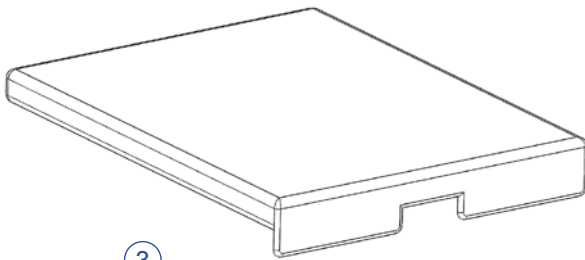
Spare parts



①



②

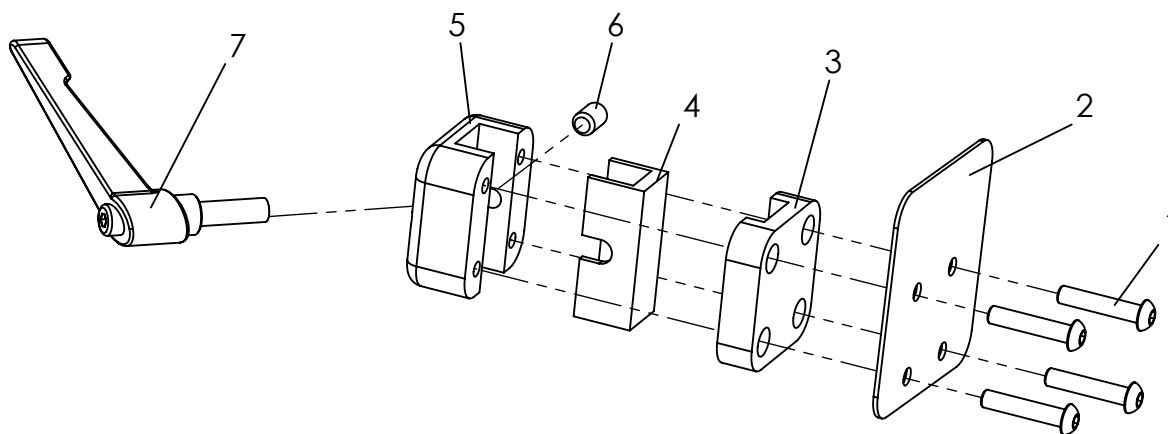


③

Pos	Article number	Article description	Quantity	Unit
1*	3276-7100-306	Back cushion for foldable back 2.5 cm thick	1	Pc.
2**	3220-80SW-322	CESA contoured seat cushion with cover, black, SW 24-32	1	Pc.
	3220-80SW-322	CESA contoured seat cushion with cover, black, SW 34-44	1	Pc.
3**	3220-71SW-306	Sitzkissen, 3cm dick, Karo schwarz	1	Pc.

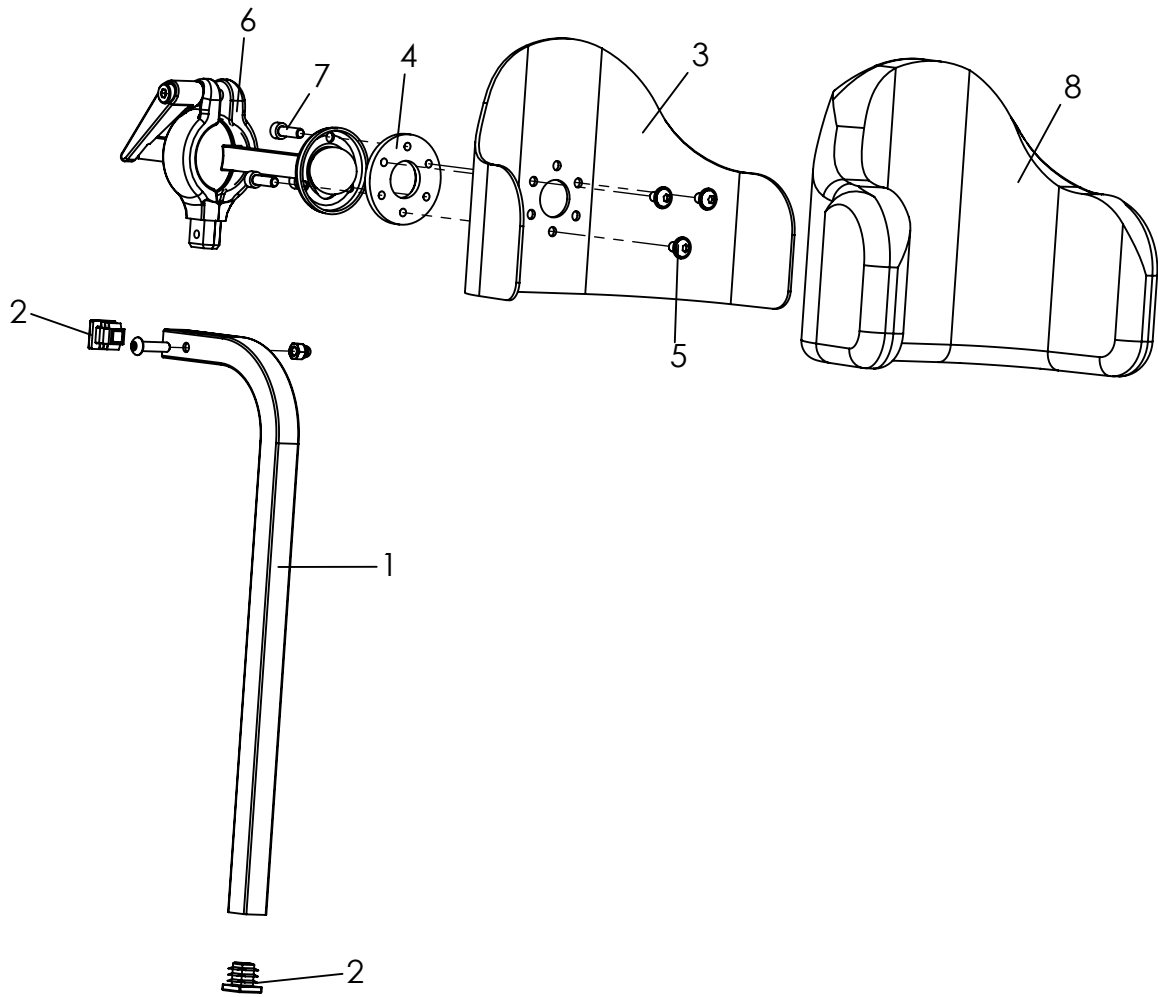
* Please give us the SW and BH when orderd!

Spare parts



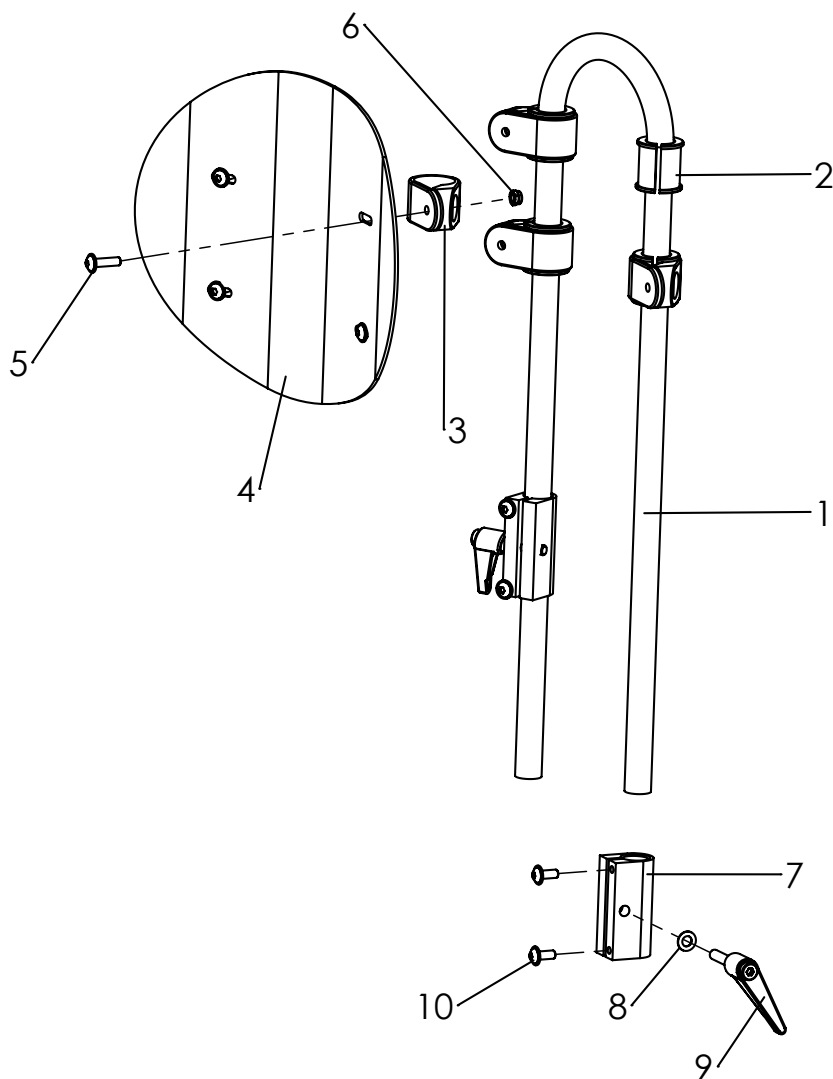
Pos	Article number	Articel description	Quantity	Unit
1-7	3201-3830	Universal headrest bracket	1	Pc.
1	1029-0630	Button head socket screw M6x30	4	Pc.
2	3201-3834-015	Reinforcing plate back, FS black	1	Pc.
3	3201-3831	Clamp bottom part	1	Pc.
4	3201-3833	Reducing piece	1	Pc.
5	3201-3832	Clamp upper part	1	Pc.
6	1031-0812	Hexagon socket set screw M8x12	1	Pc.
7	1121-0825	Locking lever PA black M8x25	1	Pc.

Spare parts



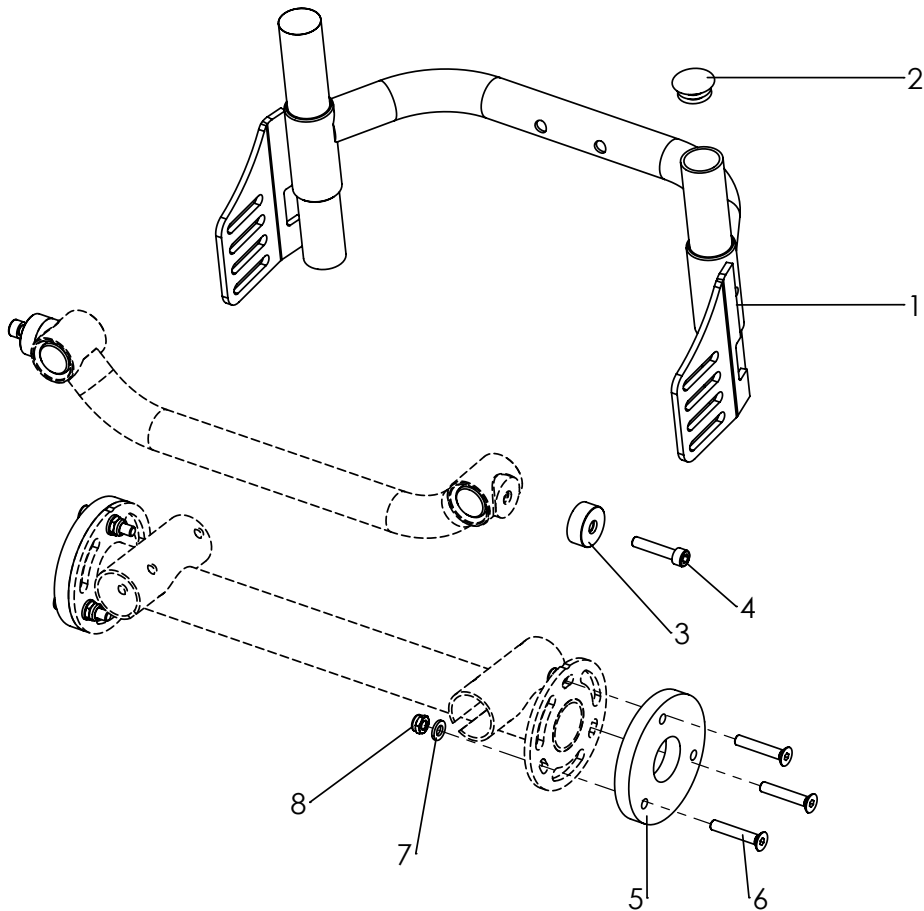
Pos	Article number	Articel description	Quantity	Unit
1-7	3245-7800-306	Head rest with mounting bracket	1	Pc.
1	3245-7821-016	Pillar 90°	1	Pc.
2	1141-0030	Ribbed insert VL 15x15x0,8-2 black	2	Pc.
3	3245-7832	Pelotte	1	Pc.
4	3245-7831-008	Clamping ring	1	Pc.
5	1030-0508	Button head socket screw with flange M5x8	3	Pc.
6-7	3245-7810	Ball-head clamping complete	1	Pc.
7	1021-0516	Hexagon socket head cap screw M5x16	3	Pc.
8	3245-7850-306	Head rest cushion, black	1	Pc.

Spare parts



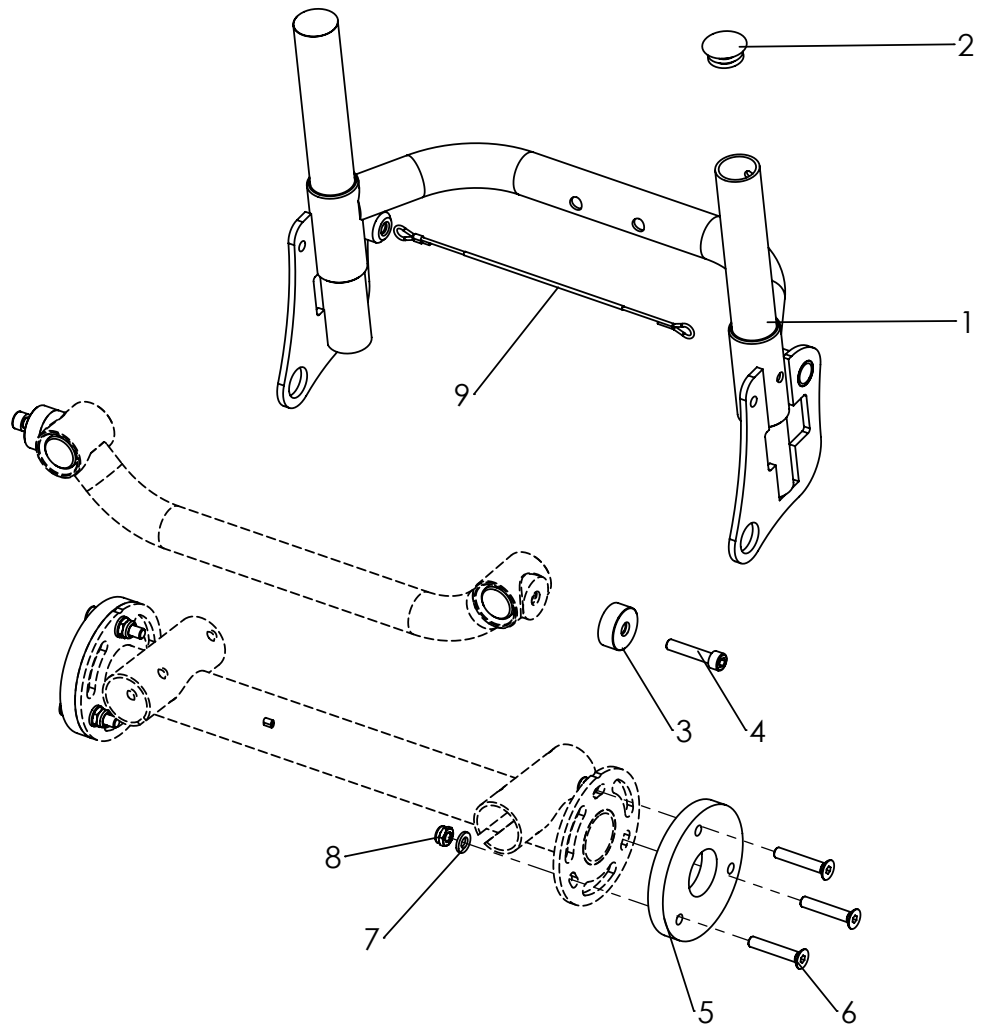
Pos	Article number	Articel description	Quantity	Unit
1-10	3274-7301	Back rest extension	1	Pc.
1	3274-7342-007	Clamping block back extension black anodized	2	Pc.
2	3274-7351-007	Support bracket, black anodized	1	Pc.
3	3274-7354	Clamping sleeve 25x16x29,5	2	Pc.
4	3274-7361-015	Plate for back rest extesion 1, FS black	1	Pc.
5	3245-3311	Gripper clamp	4	Pc.
6	1121-0625	Locking lever PA black M6x25	2	Pc.
7	1030-0512	Button head socket screw with flange zp M5x12	4	Pc.
8	1030-0518	Button head socket screw with flange zp M5x18	4	Pc.
9	1042-0005	Hexagon nut self-locking zp DIN/ISO 985 M5	4	Pc.
10	1052-0006	Spring washer B6 zp DIN/ISO 137 B6	2	Pc.
	3274-7370-306	Cushion for back rest extension (not illustrated)	1	Pc.

Spare parts



Pos	Article number	Articel description	Quantity	Unit
1-8	3222-16SW-000	CESA extension kit of 2 cm, with "rigid" back base in frame color, BH 20	1	Set
	3222-17SW-000	CESA extension kit of 2 cm, with "rigid" back base in frame color, BH 25	1	Set
	3222-18SW-000	CESA extension kit of 2 cm, with "rigid" back base in frame color, BH 30	1	Set
	3222-19SW-000	CESA extension kit of 2 cm, with "rigid" back base in frame color, BH 35	1	Set
1	3220-31SW-000	Back base rigid, RH 20	1	Pc.
	3220-32SW-000	Back base rigid, RH 25	1	Pc.
	3220-33SW-000	Back base rigid, RH 30	1	Pc.
	3220-34SW-000	Back base rigid, RH 35	1	Pc.
2	1141-0009	Ribbed insert SFL 25x1-2,5	2	Pc.
3	3220-1525-007	Cross strut spacer black	2	Pc.
4	1021-0640	Hexagon socket head cap screw 912 M6x40	2	Pc.
5	3275-1491	Spacer rear axle	2	Pc.
6	1024-0635	Hexagon socket countersunk head screw M6x35 (tilt stop or tie down kit)	6	Pc.
	1022-0640	Cylinder head screw M6x40 (tilt stop and drum break)	4	Pc.
	1024-0650	Hexagon socket countersunk head screw M6x50 (tilt stop and Tie down kit)	4	Pc.
	1021-0660	Hexagon socket head cap screw M6x60(tie down kit, tilt stop and drum break)	4	Pc.
7	1051-0006	Washer A6,4	10	Pc.
8	1042-0006	Hexagon nut self-locking M6	10	Pc.

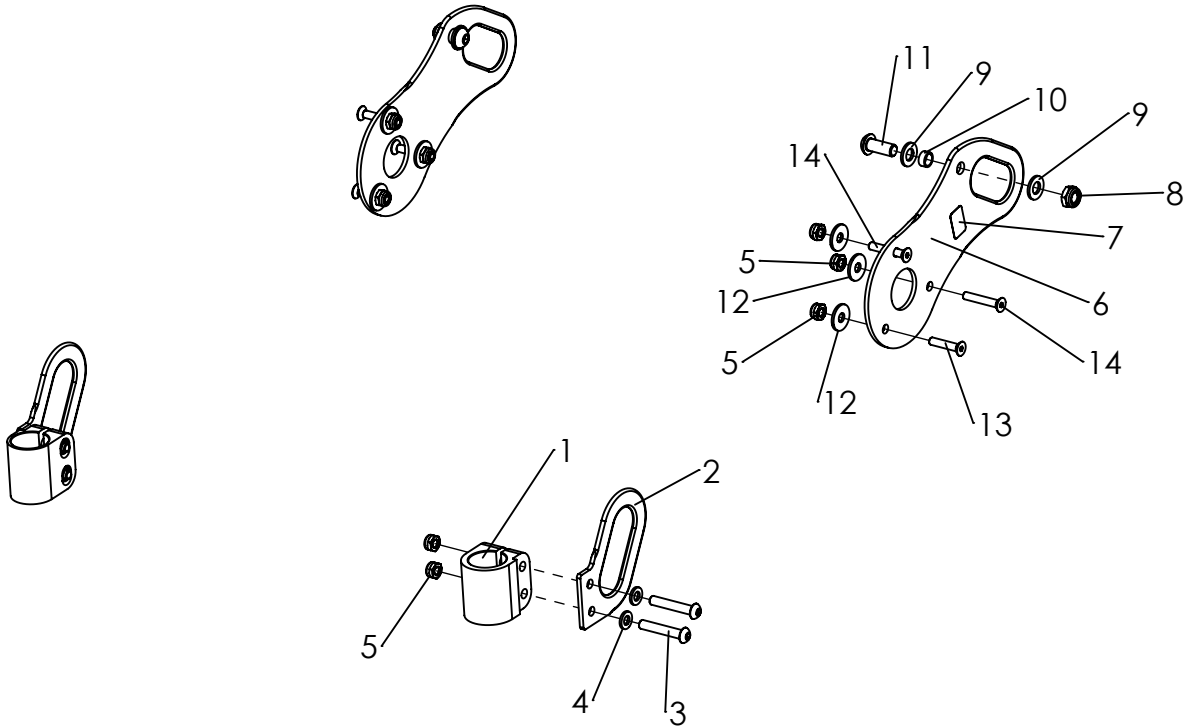
Spare parts



Pos	Article number	Articel description	Quantity	Unit
1-9	3229-16SW-000	CESA extension kit of 2 cm, with "foldable" back base in frame color, BH 20	1	Set
	3229-17SW-000	CESA extension kit of 2 cm, with "foldable" back base in frame color, BH 25	1	Set
	3229-18SW-000	CESA extension kit of 2 cm, with "foldable" back base in frame color, BH 30	1	Set
	3229-19SW-000	CESA extension kit of 2 cm, with "foldable" back base in frame color, BH 35	1	Set
1	3220-35SW-000	Back base "angle adjustable and foldable" , back height 20	1	Pc.
	3220-36SW-000	Back base "angle adjustable and foldable" , back height 20	1	Pc.
	3220-37SW-000	Back base "angle adjustable and foldable" , back height 20	1	Pc.
	3220-38SW-000	Back base "angle adjustable and foldable" , back height 20	1	Pc.
2	1141-0009	Ribbed insert SFL 25x1-2,5	2	Pc.
3	3220-1525-007	Cross strut spacer black	2	Pc.
4	1021-0640	Hexagon socket head cap screw 912 M6x40	2	Pc.
5	3275-1491	Spacer rear axle	2	Pc.
6	1024-0635	Hexagon socket countersunk head screw M6x35 (tilt stop or tie down kit)	6	Pc.
	1022-0640	Cylinder head screw M6x40 (tilt stop and drum break)	4	Pc.
	1024-0650	Hexagon socket countersunk head screw M6x50 (tilt stop and Tie down kit)	4	Pc.
	1021-0660	Hexagon socket head cap screw M6x60(tie down kit, tilt stop and drum break)	4	Pc.
7	1051-0006	Washer A6,4	10	Pc.
8	1042-0006	Hexagon nut self-locking M6	10	Pc.
9	3220-35XX	Wire-ropc for CESA back base		

SW=	24	26	28	30	32	34	36	38	40	42	44
XX=	81	82	83	84	85	86	87	88	89	91	92

Spare parts



Pos	Artikelnummer	Artikelbezeichnung	Menge	ME
1-11	3220-7300E	Tie down kit CESA	1	Set
1	3221-7331-007	Clamp for Lashing	2	Pc.
2	3221-7312	Lashing front	2	Pc.
3	1029-0635	Button head socket screw M6x35	4	Pc.
4	1051-0006	Washer A6,4	4	Pc.
5	1042-0006	Hexagon nut self-locking M6	4	Pc.
6	3274-7311-015	Lashing rear	2	Pc.
7	1914-0007	Adhesive lable with hook symbol (4 pcs.)	1	Set
8	1042-0008	Hexagon nut self-locking M8	2	Pc.
9	1051-0008	Washer A8,4	4	Pc.
10	3201-7350	Slide bushing	2	Pc.
11	1029-0820	Button head socket screw M8x20	2	Pc.
12	1055-0006	Washer A6,4	6	St
13	1024-0625	Hexagon socket countersunk head screw M6x25	2	St
14	1024-0625	Hexagon socket countersunk head screw M6x25, <i>use with tie down kit only</i>	4	St
	1022-0630	Hexagon socket head cap screw M6x30, <i>use with drum break only</i>	4	St
	1024-0640*	Hexagon socket countersunk head screw M6x40, <i>use with tilt stop</i>	4	St
	1022-0645*	Hexagon socket head cap screw M6x45, <i>use with drum break and tilt stop</i>	4	St
	3274-7314*	Spacer bushing 20 x 6.2 x 5	8	St

* Spacers are required here, included in delivery

HOGGI GmbH
Eulerstraße 27 • 56235 Ransbach-Baumbach • Deutschland
Telefon: (+49) 2623 / 92 499-0 • Telefax: (+49) 2623 / 92 499-99
E-mail: info@hoggi.de • www.hoggi.de
