



## Supine Stander Size 1 & 2 - Replacement Parts





## Contents

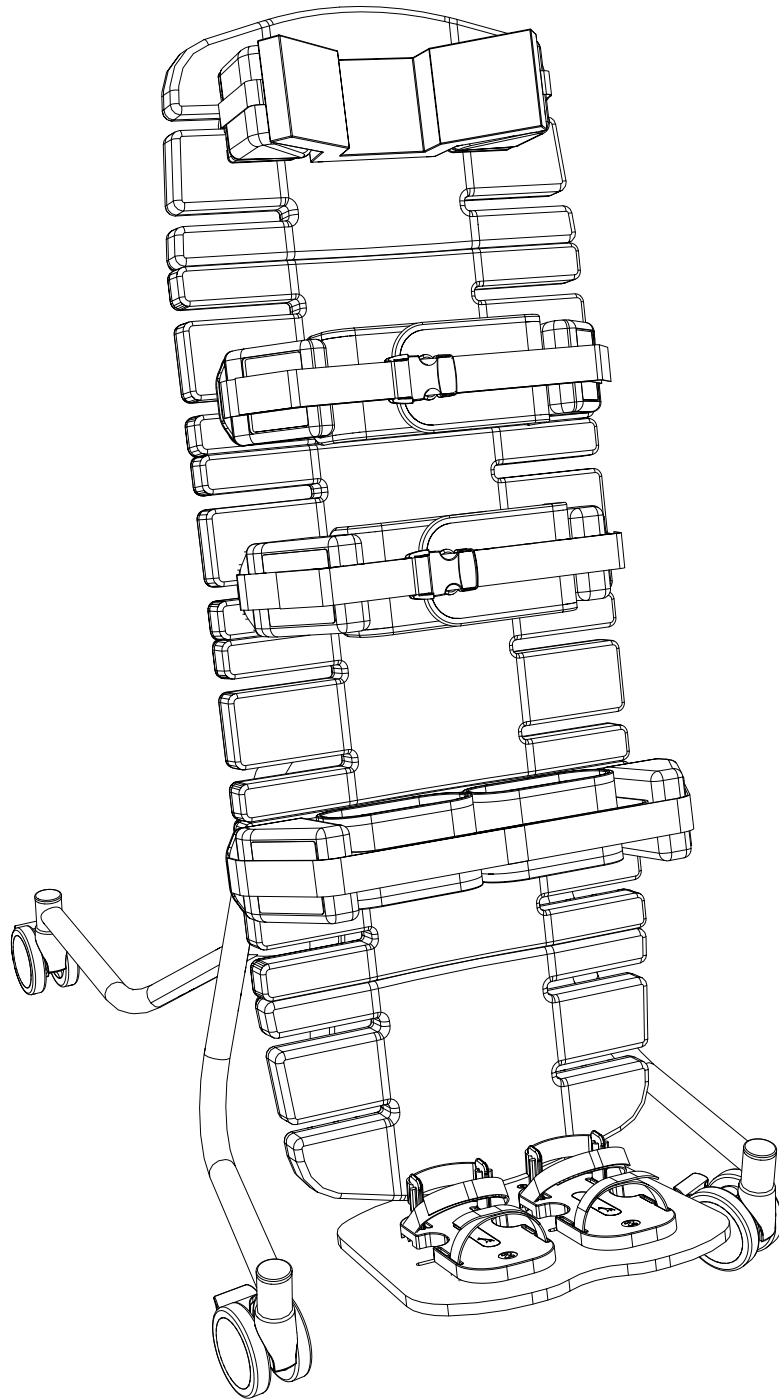
## Page (s)

Product Visual	3
Size 1 Manual Base Assembly	4
Size 2 Powered Base Assembly	5
Support Board Assembly	6
Tray Assembly	7
Knee Block Assembly	8



## Product Visual

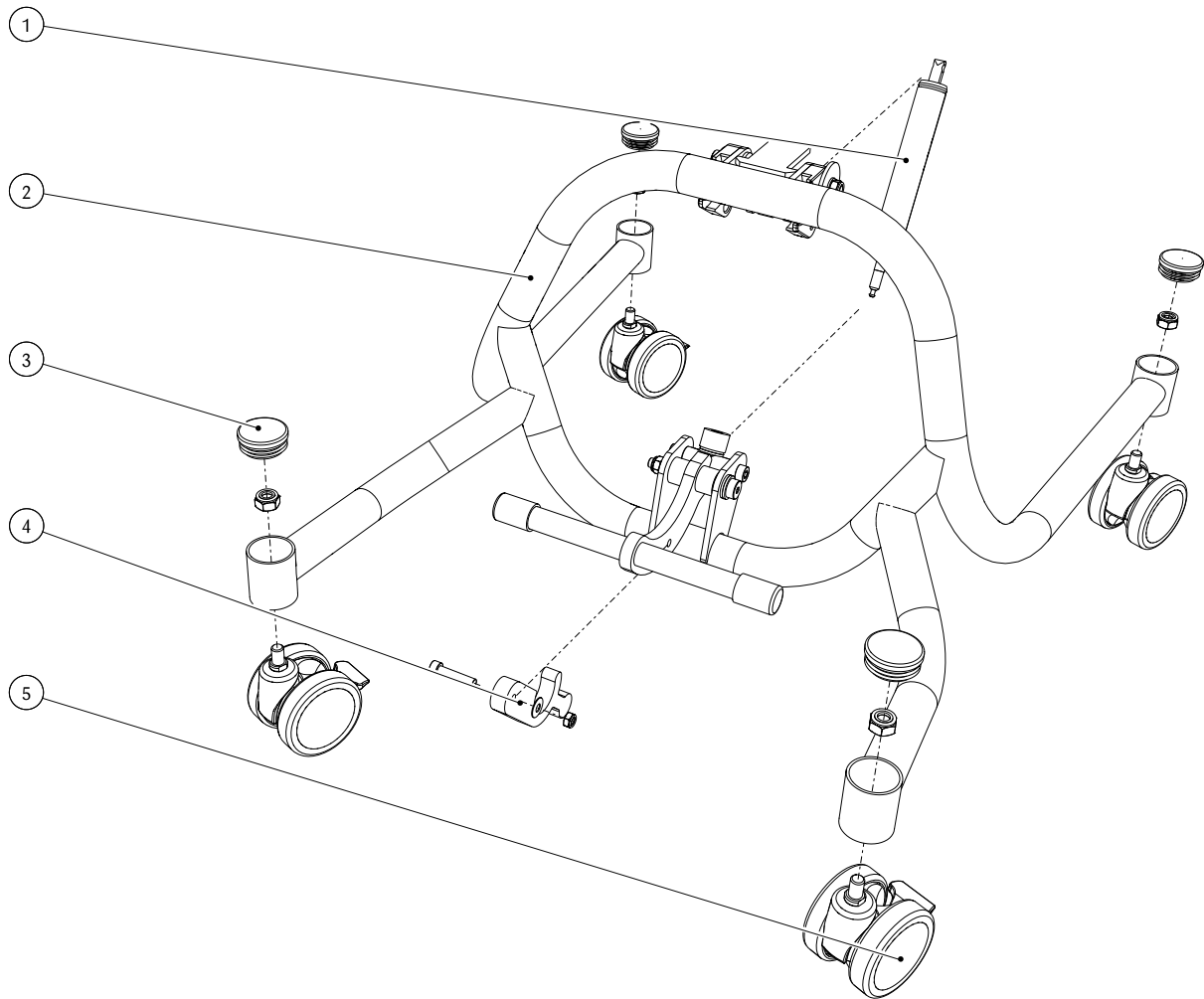
## Standing Systems - Supine Stander Size 1 & 2



3

Size 1 Manual Base Assembly

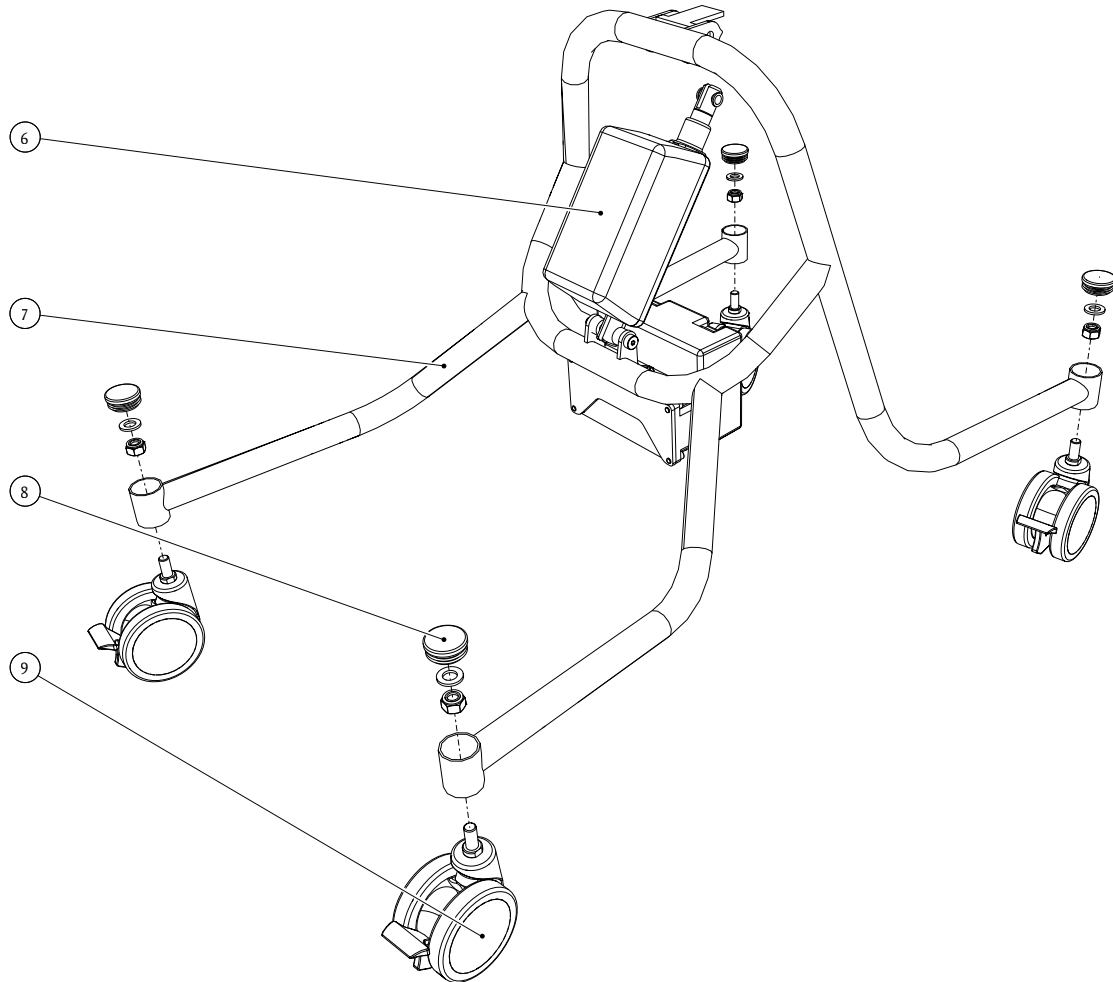
Standing Systems - Supine Stander Size 1 & 2



NUMBER	DESCRIPTION	CODE
1	Replacement Gas Spring u/w SUP-01	RPRT93
2	Base Frame inc. Tilt in Space Gas Spring u/w SUP-01	MUS01 001
3	Base Frame Castor End Caps (Set of 4)	RPRT120
4	Replacement Multistander Foot Pedal Lock & Fixings	RPRT90
5	75mm Castor c/w 1 x Castor & Fixings u/w SUP-01	RPRT01

Size 2 Powered Base Assembly

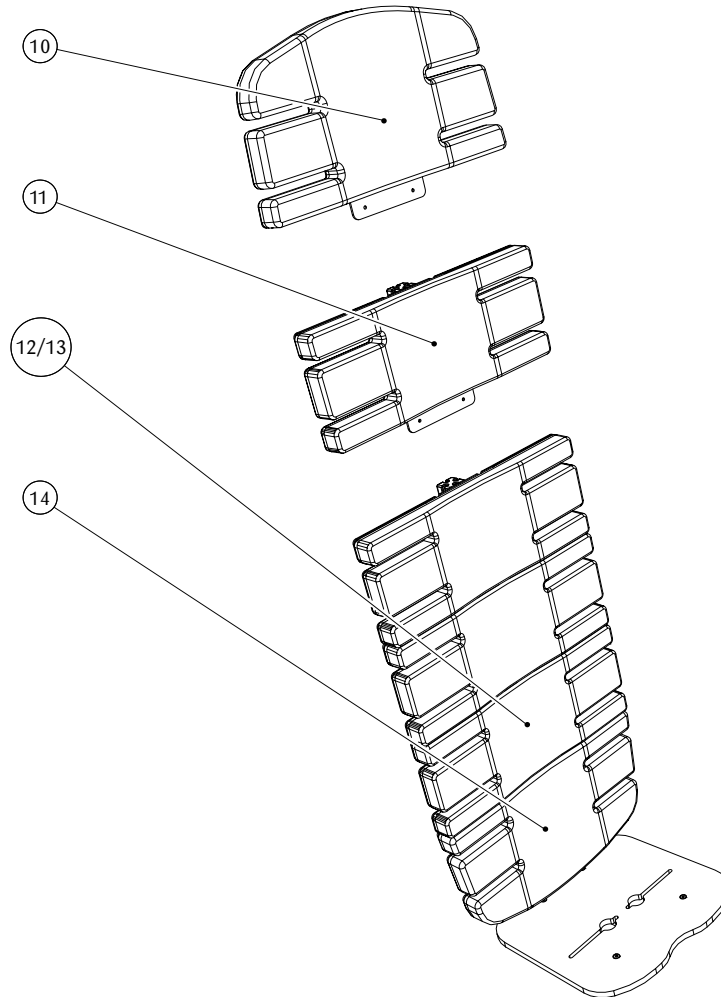
Standing Systems - Supine Stander Size 1 & 2



NUMBER	DESCRIPTION	CODE
6	Replacement Powered Actuator 4000N	GS027
7	Base Frame Sub Assembly	SUP02 001
8	Base Frame Castor End Caps (Set of 4)	RPRT120
9	100mm Castor c/w 1 x Castor & Fixings u/w SUP-02	RPRT06

Support Board Assembly

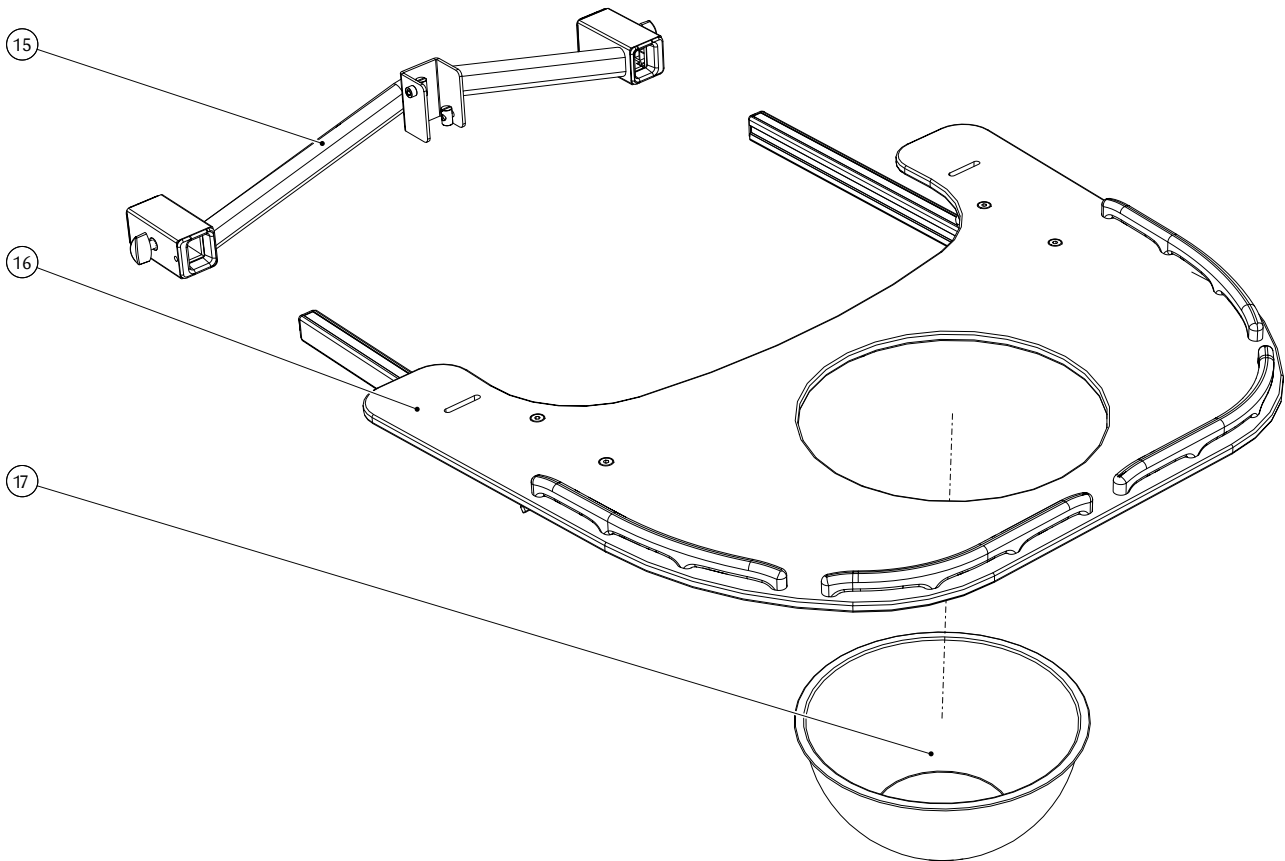
Standing Systems - Supine Stander Size 1 & 2



NUMBER	DESCRIPTION	CODE
10	Supine 1 & 2 Top/Bottom Replacement Board	SUP01 006-0*
11	Supine 1 & 2 Middle Replacement Board	SUP01 007-0*
12/13	Supine 1 Middle Replacement PU Pad x2 / Supine 2 Middle Replacement PU Pad x4	RPRT72-0* / RPRT73-0*
14	Supine 1 & 2 Top/Bottom Replacement PU Pad (Pair)	RPRT71-0*

Tray Assembly

Standing Systems - Supine Stander Size 1 & 2

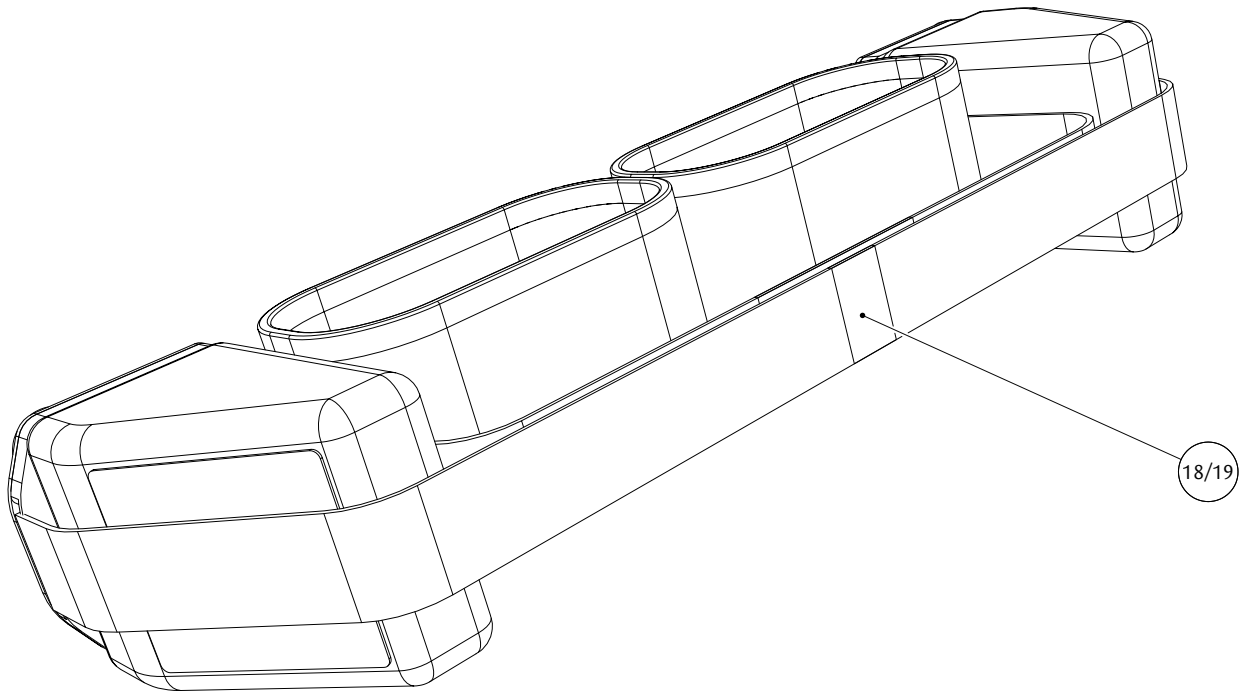


NUMBER	DESCRIPTION	CODE
15	Supine Stander Tray Stay Bracket	ST01 001
16	Supine Stander Tray Only Sub Assembly	ST01 002
17	Clear Bowl	BW004



Knee Block Assembly

Standing Systems - Supine Stander Size 1 & 2



NUMBER	DESCRIPTION	CODE
18/19	Replacement Supine Stander Knee Strap Size 1 / Size 2	RPRT61 / RPRT62





**For any queries regarding  
information within this  
document, please contact**

**[export@jenx.com](mailto:export@jenx.com)**

