



## Bee - Replacement Parts





## Contents

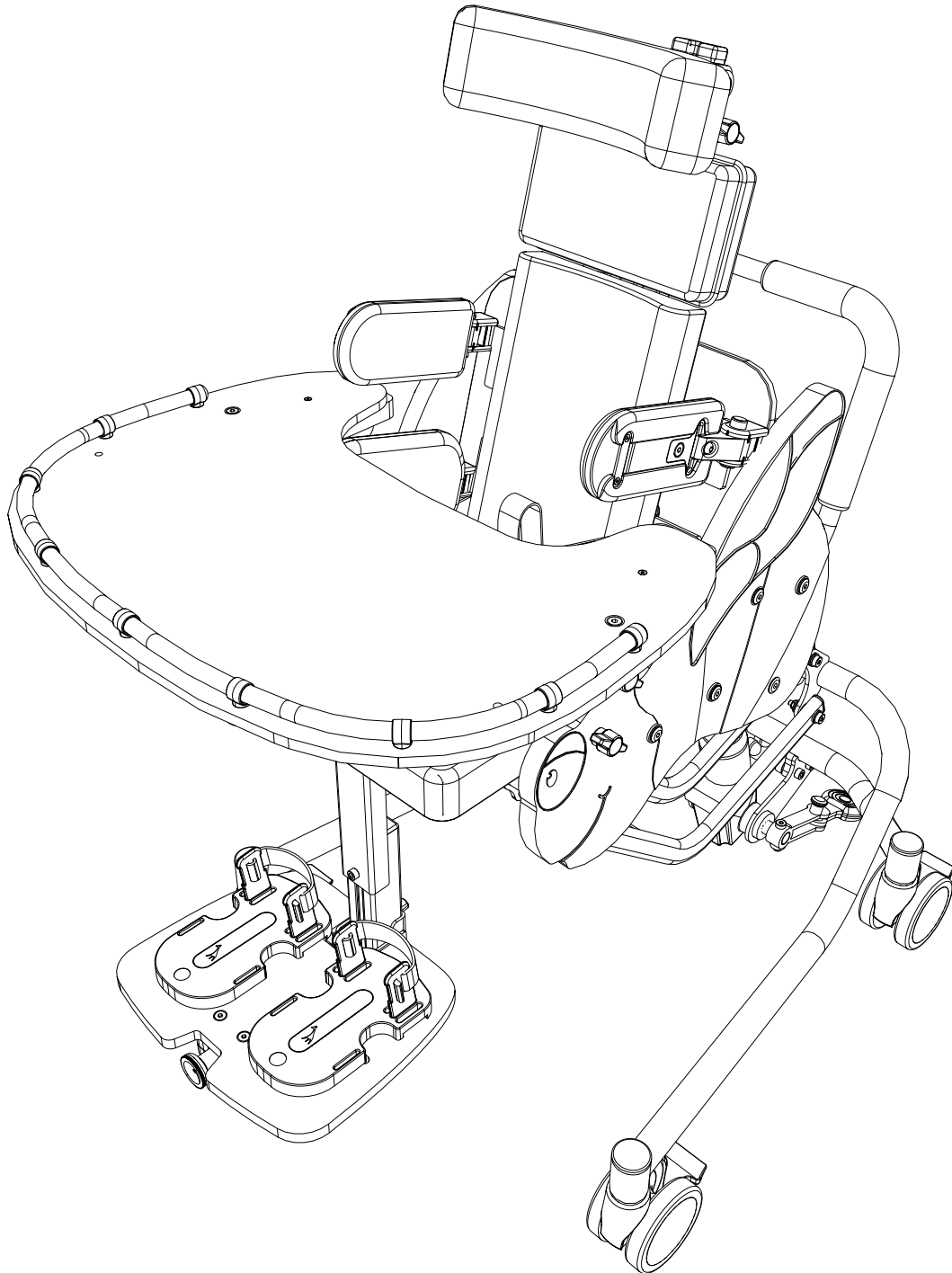
## Page (s)

Product Visual	3
Y-Base Connector Assembly	4
Leg Extension & Depth Assembly	5
Seat Assembly	6
Armrest Assembly	7
Lap Strap Assembly	8
Footplate Assembly	9
Headrest Assembly	10
Shoulder Protractor Assembly	11



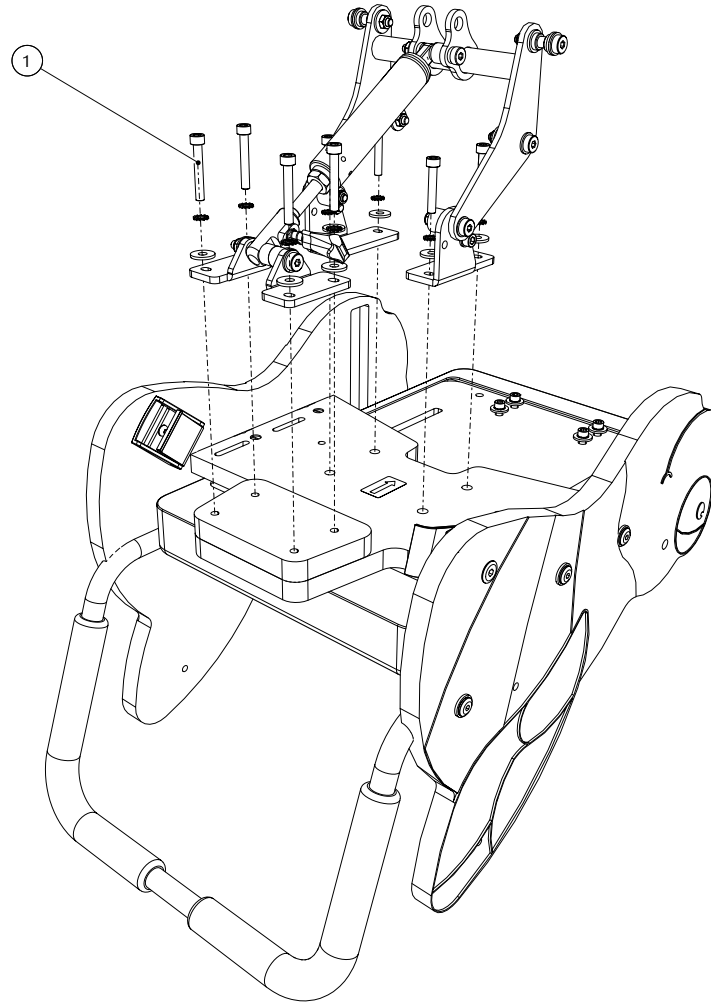
Product Visual

Seating Systems - Bee



Y-Base Connector Assembly

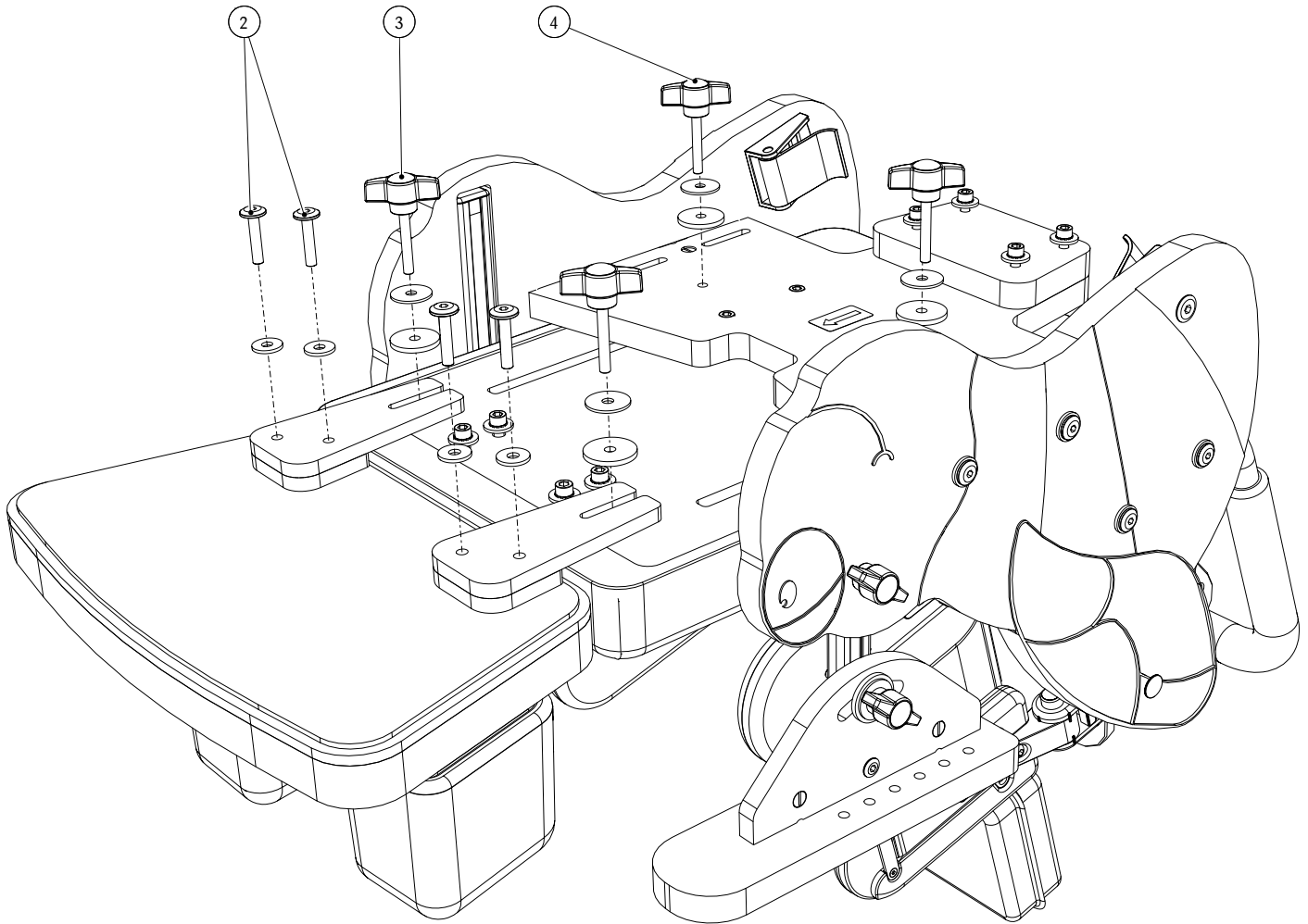
Seating Systems - Bee



NUMBER	DESCRIPTION	CODE
1	Screw Pack Seat to Base u/w NM01	SWP418

Leg Extension & Depth Assembly

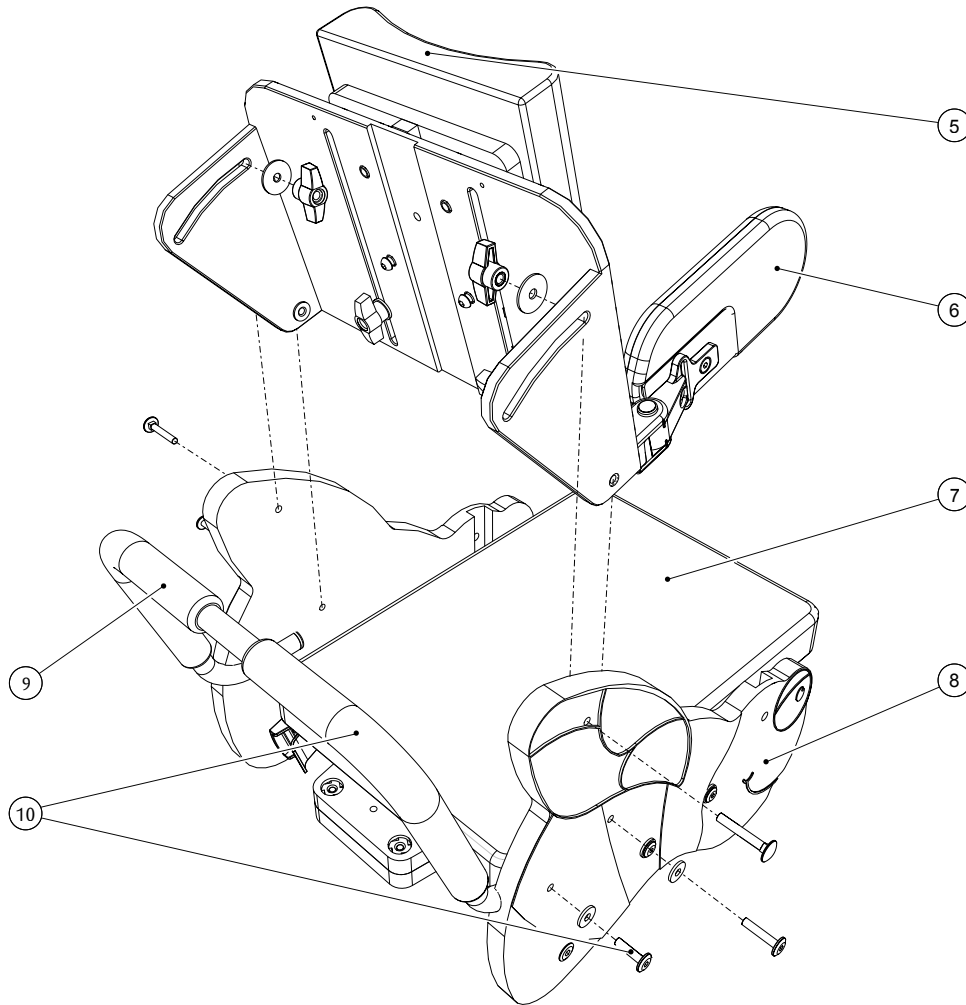
Seating Systems - Bee



NUMBER	DESCRIPTION	CODE
2	Screw Pack u/w NL02 Nursery Seat Extension	SWP151
3	Screw Pack u/w NL02	SWP364
4	Screw Pack Seat Depth u/w NM01	SWP464

Seat Assembly

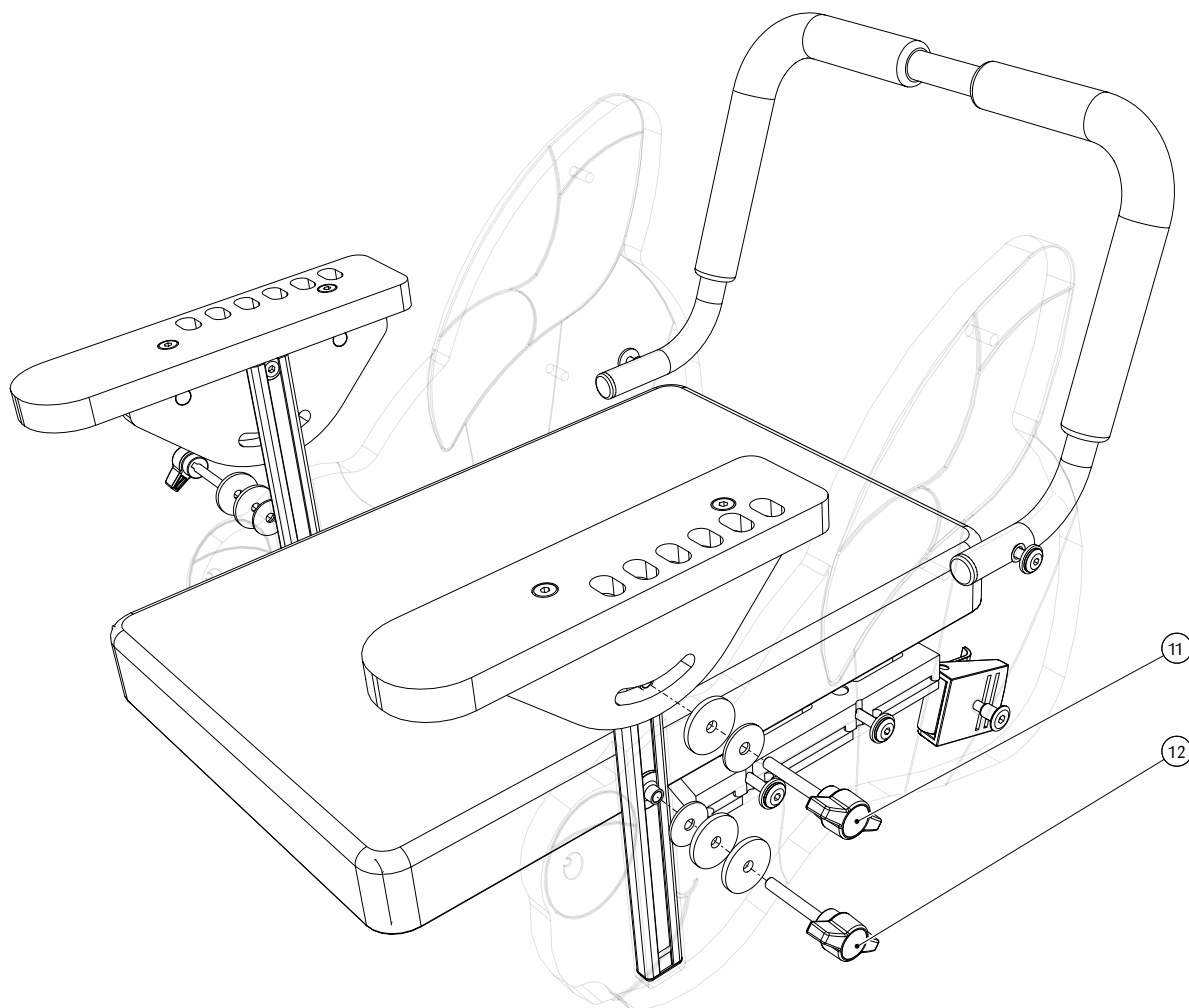
Seating Systems - Bee



NUMBER	DESCRIPTION	CODE
5	Bee Back Pad u/w NM01	NB14
6	Bee Hip Pad u/w NM01	NB16
7	Bee Seat Pad & Fixings u/w NM01	RPRT94
8	Bee Sides & Fixings u/w NM01	RPRT08
9	Replacement Foam Handles u/w NM01	RPRT102
10	Push Handle & Fixings u/w NM01	RPRT83

Armrest Assembly

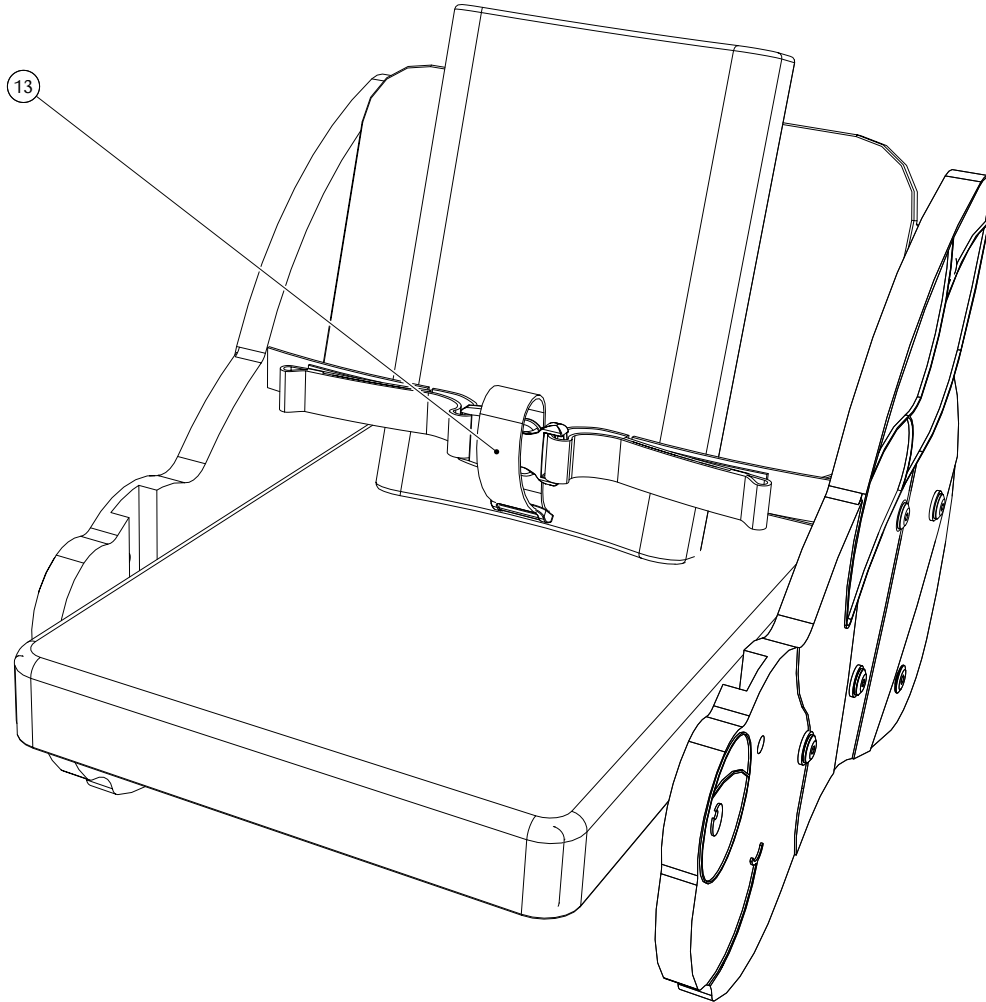
Seating Systems - Bee



NUMBER	DESCRIPTION	CODE
11	Screw Pack Bee Tray Arm Angle Adjustment u/w NT02	SWP489
12	Screw Pack u/w NT02	SWP365

Lap Strap Assembly

Seating Systems - Bee

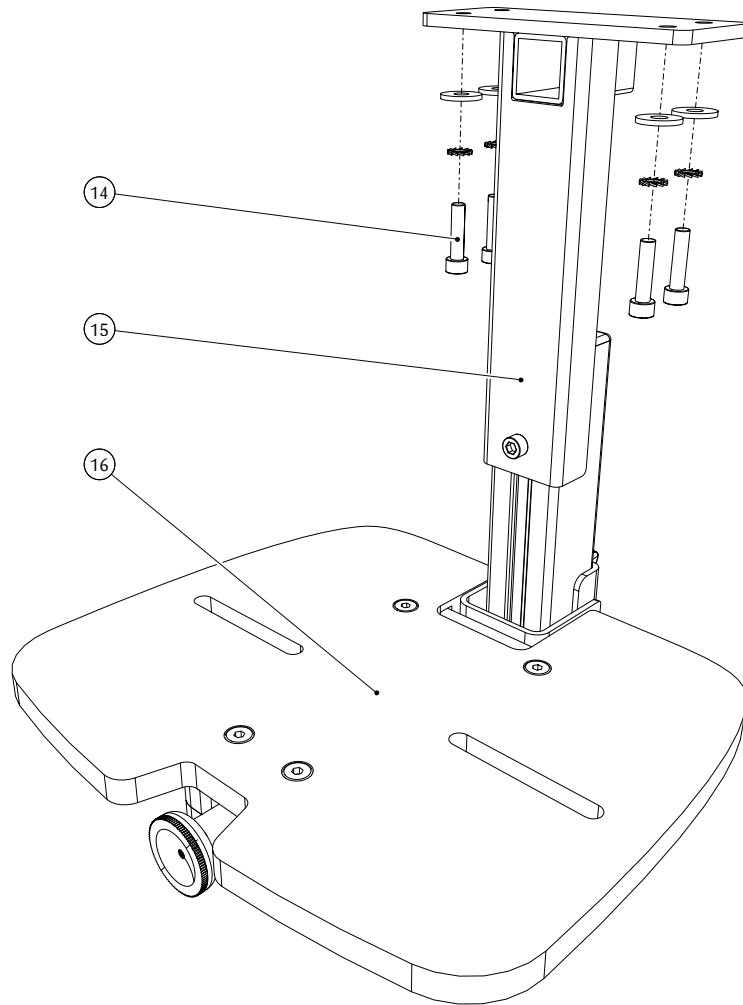


NUMBER	DESCRIPTION	CODE
13	Lap Strap u/w NM01	MU23



Footplate Assembly

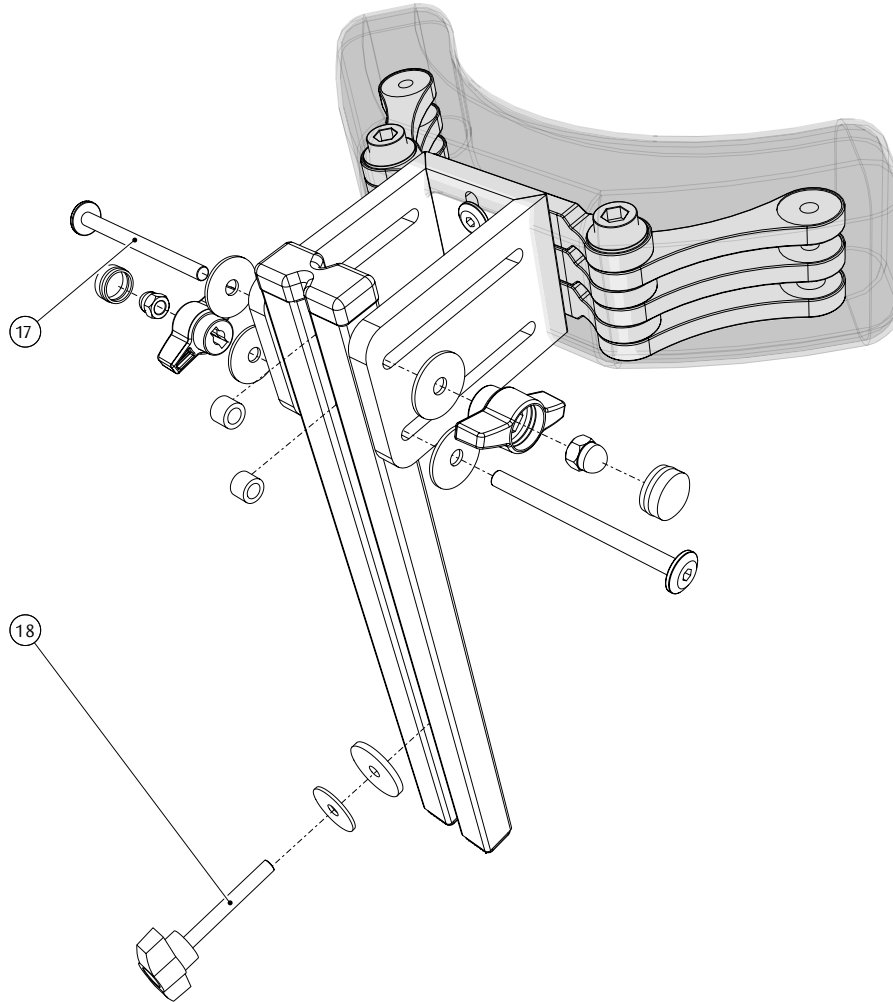
Seating Systems - Bee



NUMBER	DESCRIPTION	CODE
14	Screw Pack GL25 Fitting u/w NM01	SWP466
15	Footpost u/w NM01	GL25
16	Bee Footplate u/w NM01	GL23

Headrest Assembly

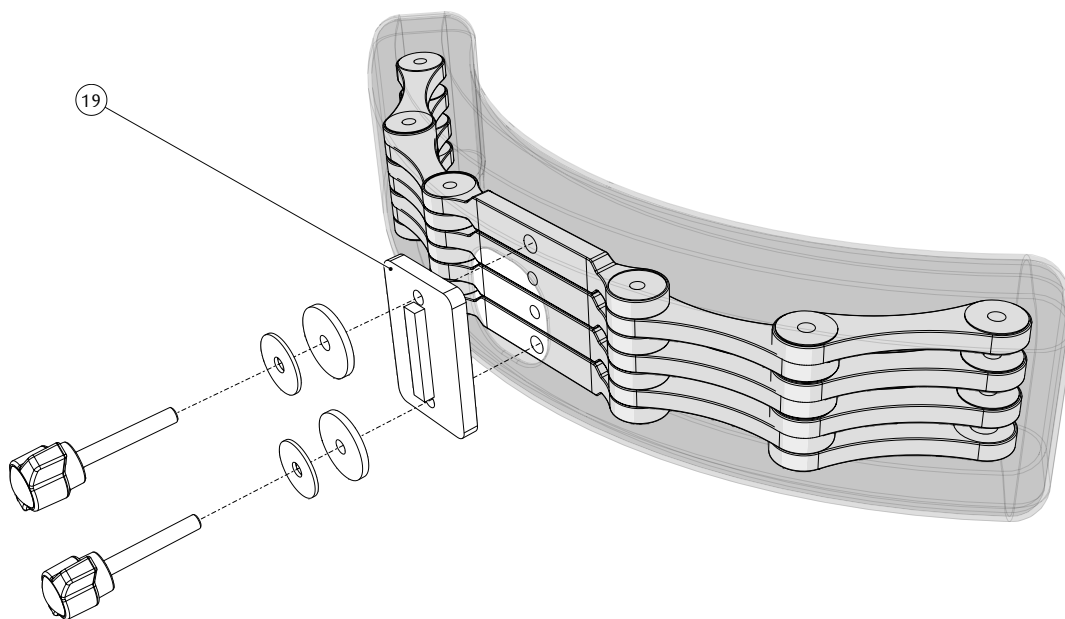
Seating Systems - Bee



NUMBER	DESCRIPTION	CODE
17	Bee Multigrip Headrest Angle Adjustor Screw Pack u/w NB10 01 / NB08 01 / NB19	SWP490
18	Screw Pack Replacement Fittings u/w NB10 01 / NB08 01 / NB19	SWP363

Shoulder Protractor Assembly

Seating Systems - Bee



NUMBER	DESCRIPTION	CODE
19	Screw Pack Replacement Fittings u/w NB03 01	SWP459



**For any queries regarding  
information within this  
document, please contact**

**[export@jenx.com](mailto:export@jenx.com)**

